

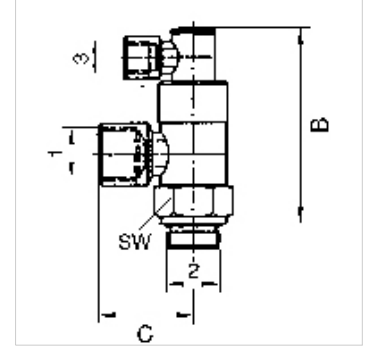
K-STOPPVENTILE STECK

Stop valves, ports 2 and 3 with plug connection

HANSA FLEX

Özellikler

Çalışma basıncı	Max. 10 bar
Kumanda basıncı	1 - 5 bar, depending on operating pressure
Akışkan sıcaklığı	max. 70 °C
Yerleştirme konumu	Any. Ring pieces can still be rotated 360° after the valve has been tightened
Yalıtım malzemesi	Perbunan



Açıklama

Diğer bilgiler, istek üzerinedir.

Açıklama

For high-speed positioning and stop functions as well as emergency switching (e.g. emergency stop). If a control signal is present at port 3, air can flow to and from the cylinder. If no control signal is present, the air flow to and from the cylinder is shut off, causing the cylinder to stop in the required position. Stop valves are screwed directly onto the cylinder instead of the normal pipe connections.

Ürün

Tanım	Port 1	Port 2	Bağlantı 3	Malzeme	B (mm)	C (mm)
K- 07 15 20 50	G 1/8	6 mm	4 mm	Nickel-plated brass	52,0	25,0
K- 07 15 20 49	G 1/4	6 mm	4 mm	Nickel-plated brass	58,0	28,0
K- 07 15 20 51	G 3/8	8 mm	4 mm	Nickel-plated brass	63,0	32,0
K- 07 15 20 48	G 1/2	12 mm	4 mm	Nickel-plated brass	72,0	41,0