

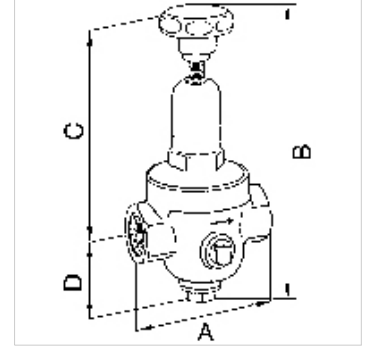
# K-DRG DRV 250 NIEDERDRUCK

DRV 250 pressure regulators, low-pressure type

**HANSA FLEX**

## Özellikler

Giriş basıncı	Max. 25 bar (Series 200 and 300 Series), Max. 40 bar (400 Series)
Sıcaklık sahası	Max. 75 °C
Azaltma oranı	Max. 10:1 (200 Series), Max. 20:1 (300 Series), Max. 6:1 (400 Series)
Yalıtım malzemesi	NBR
Yay kapağı	Pressed brass up to DN 25, Grey cast iron from DN 32
Gövde	Red brass 2.1096.01



## Açıklama

Diğer bilgiler, istek üzerinedir.

## Açıklama

Diaphragm pressure regulators with non-self-relieving design and non-pressure-reduced single-seated valve. Very precise adjustment. Good response characteristic because of only a few moving parts which hence minimal friction. Ideal for compressed air, nitrogen and other neutral, non-flammable gases, but only suitable for liquids with comparatively low flow rates.

## Siparişe ilgili bilgiler

İstek halinde farklı modeller sunulabilir

## Ek bilgiler

Diğer modeller talep üzerine

## Ürün

Tanım	Mil	Ayar aralığı	Akış kvs değeri (m <sup>3</sup> /h)	A (mm)	B	C (mm)	TR (mm)
K- 07 25 04 94	G 1/4	0.2 - 2 bar	0,5	70,0	185,5 mm	140,0	45,5
K- 07 25 04 95	G 3/8	0.2 - 2 bar	0,6	70,0	185,5 mm	140,0	45,5
K- 07 25 04 96	G 1/2	0.2 - 2 bar	1,2	85,0	232,5 mm	186,0	46,5

## Yedek Parçalar

K-VERSCHLEI-SATZ Set of wearing parts