

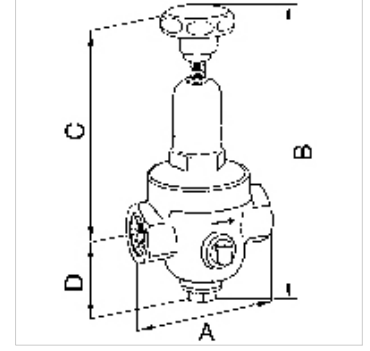
K-DRG DRV 225 HOCHDRUCK

DRV 225 pressure regulators, high-pressure type

HANSA FLEX

Özellikler

Giriş basıncı	Max. 25 bar (Series 200 and 300 Series), Max. 40 bar (400 Series)
Sıcaklık sahası	Max. 75 °C
Azaltma oranı	Max. 10:1 (200 Series), Max. 20:1 (300 Series), Max. 6:1 (400 Series)
Yalıtım malzemesi	NBR
Yay kapağı	Pressed brass up to DN 25, Grey cast iron from DN 32
Gövde	Red brass 2.1096.01



Açıklama

Diğer bilgiler, istek üzerinedir.

Açıklama

Diaphragm pressure regulators with non-self-relieving design and non-pressure-reduced single-seated valve. Very precise adjustment. Good response characteristic because of only a few moving parts which hence minimal friction. Ideal for compressed air, nitrogen and other neutral, non-flammable gases, but only suitable for liquids with comparatively low flow rates.

Siparişe ilgili bilgiler

İstek halinde farklı modeller sunulabilir

Ek bilgiler

Diğer modeller talep üzerine

Ürün

Tanım	Mil	Ayar aralığı	Akış kvs değeri (m ³ /h)	A (mm)	B	C (mm)	TR (mm)
K- 07 25 04 97	G 1/4	1.5 - 20 bar	0,5	70,0	188,0 mm	141,0	47,0
K- 07 25 04 98	G 3/8	1.5 - 20 bar	0,6	70,0	188,0 mm	141,0	47,0
K- 07 25 04 99	G 1/2	1.5 - 20 bar	1,2	85,0	228,5 mm	182,0	46,5
K- 07 25 05 00	G 3/4	1.5 - 20 bar	1,3	85,0	228,5 mm	182,0	46,5
K- 07 25 05 01	G 1	1.5 - 20 bar	1,6	95,0	257,0 mm	201,0	56,0
K- 07 25 05 02	G 1 1/4	1.5 - 20 bar	4,2	104,0	385,0 mm	324,0	61,0
K- 07 25 05 03	G 1 1/2	1.5 - 20 bar	4,5	108,0	392,0 mm	331,0	61,0
K- 07 25 05 04	G 2	1.5 - 20 bar	7,2	146,5	419,0 mm	349,0	70,0

Yedek Parçalar

K-VERSCHLEI-SATZ Set of wearing parts