

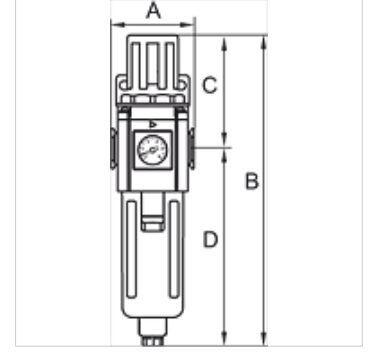
K-FI REGL PC-BEHÄLTER S V HW G

Filter regulators with polycarbonate bowl, bowl guard and »HW« mounting bracket, fully-automatic drain valve

HANSA FLEX

Özellikler

| | |
|-------------------------------------|--|
| Giriş basıncı | Max. 10 bar |
| Akışkan sıcaklığı | max. 70 °C |
| Ortam sıcaklığı | Max. 70 °C |
| Filtre ünitesindeki delik genişliği | 5 µm |
| Yalıtım malzemesi | NBR |
| Yay kapağı | POM |
| Gövde | Die-cast aluminium |
| Drain valve | Semi- or fully-automatic |
| Akış değeri ölçümü | At P1 = 8 bar, P2 = 6 bar and pressure drop $\Delta p = 1$ bar |
| Diğer bilgiler | User manual on request |



Ürün

| Tanım | Mil | Ayar aralığı | Akış (L/min) | A (mm) | B | C (mm) | TR (mm) | Model ebadı |
|----------------|-------|--------------|--------------|--------|----------|--------|---------|-------------|
| K- 07 25 06 96 | G 1/4 | 1.5 - 9 bar | 1450 | 51,0 | 225,5 mm | 82,5 | 143,0 | 300 |
| K- 07 25 06 98 | G 3/8 | 1.5 - 9 bar | 1750 | 51,0 | 225,5 mm | 82,5 | 143,0 | 300 |
| K- 07 25 07 00 | G 1/2 | 1.5 - 9 bar | 1750 | 51,0 | 225,5 mm | 82,5 | 143,0 | 300 |
| K- 07 25 07 02 | G 3/8 | 1.5 - 9 bar | 3750 | 68,0 | 270,5 mm | 104,0 | 166,5 | 400 |
| K- 07 25 07 04 | G 1/2 | 1.5 - 9 bar | 3750 | 68,0 | 270,5 mm | 104,0 | 166,5 | 400 |

Aksesuar

| | |
|------------------------------------|---|
| K-VERSCHLEI-SATZ | Set of wearing parts |
| K-ERSATZMEMBRANE | Replacement diaphragm |
| K-ADAPTERPLATTEN HANSA | Adapter plate HANSA |
| K-ERSATZBEHÄLTER G UND G-MINI POLY | Spare tanks »G« Series and »G-mini« Series Polycarbonat |
| K-SCHUTZKORB G | Protective cage |
| K-FILTERELEMENT | Filter element |
| K-HALTERBAUSATZ | Holder |
| K-VERBINDUNGSELEMENTE | Connecting sets |
| K-WANDHALTER | Wall bracket |