

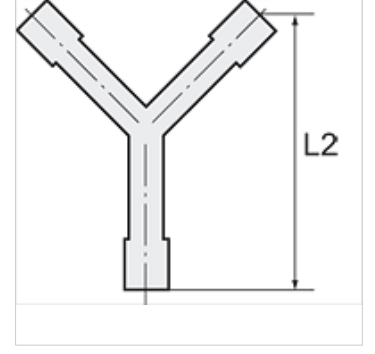
# K-Y-RED POM

Reducing Y push-on connectors, POM

**HANSA FLEX**

## Özellikler

Sıcaklık sahası -40 °C to +90 °C



## Açıklama

Diğer bilgiler, istek üzerinedir.

## Açıklama

Lightweight tube connectors distinguished by high strength, toughness, resistance to abrasion and impact resistance. Resistant to: Acetone, benzene, benzene, butane, alcohols, diesel fuels, crude oil, natural gas, ethanol, fruit juices, glycerine, fuel oil, hydraulic fluids, aliphatic ketones, carbon dioxide, carbonic acid, engine oils, methanol, propane, liquefied gas, lubricating oils, lubricating greases, town gas, washing liquor and water.

## Ürün

Tanım	Hortum için	L2 (mm)	izin verilen maks. yüksek basınç (bar)
K- 07 40 46 71	LW 4 mm / 6 mm / 4 mm	35,0	10
K- 07 40 46 72	LW 6 mm / 8 mm / 6 mm	49,0	10