

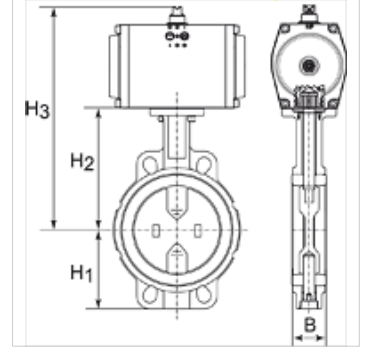
K-ZFL ABSP-KLAPPEN EINFACH

Butterfly valves, with single-acting actuator - spring to close, min. pilot pressure 5 bar

HANSA FLEX

Özellikler

Model	Pneumatic actuators, in double- or single acting version
Çalışma basıncı	Max. 16 bar
İşletim ısısı	-15 °C to +120 °C
Akışkanlar	Water / steam, salt water, salt water, ester, ketone, alkali, caustic soda, sodium hydroxide. Not recommended for hydrocarbons
Kumanda basıncı	5.5 bar
Valf adaptörü	Supplied as standard, operated by a 3/2- or 5/2-way valve
Dönüş açısı	90 °
Tahrik	aluminium eloxed
Tahrik contası	NBR
Gövde	Grey cast iron GG25 epoxy resin coated, RAL 5015
Conta	EPDM
Mil	SS416
Mil contası	EPDM
Çalıştırma	



Açıklama

Diğer bilgiler, istek üzerinedir.

Ürün

Tanım	Pul	DN	B (mm)	H1 (mm)	H2 (mm)	H3 (mm)	L (mm)
K- 07 30 03 36	Stainless Steel CF8M/1.4404	40	38,0	68,0	108,0	238,0	94,0
K- 07 30 03 37	Stainless Steel CF8M/1.4404	50	47,0	71,0	143,0	273,0	100,0
K- 07 30 03 38	Stainless Steel CF8M/1.4404	65	49,0	78,0	155,0	285,0	115,0
K- 07 30 03 39	Stainless Steel CF8M/1.4404	80	47,0	89,0	162,0	292,0	127,0
K- 07 30 03 40	Stainless Steel CF8M/1.4404	100	56,0	102,0	178,0	348,0	163,0
K- 07 30 03 42	Stainless Steel CF8M/1.4404	125	59,0	123,0	191,0	361,0	190,0
K- 07 30 03 44	Stainless Steel CF8M/1.4404	150	59,0	138,0	265,0	395,0	216,0