

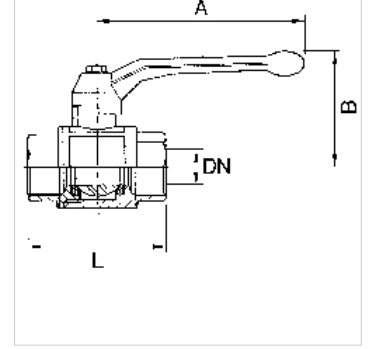
K-BKR SCHW STAHLHEBEL IG AG

Ball valves with black steel lever, lightweight type, female/male thread

HANSA FLEX

Özellikler

| | |
|-------------------------|--|
| Kullanım Alanı | Compressed air, water, non-toxic and non-corrosive gases, heating systems, agriculture |
| Çalışma basıncı | Max. 40 bar |
| İşletim ısısı | -15 °C to +90 °C |
| Dişli açıklaması | G thread acc. DIN EN ISO 228-1 |
| Gövde | Nickel-plated brass |
| Kol | Steel, with plastic coating |
| Bilye | Chrome-plated brass |
| Bilye contası | PTFE |
| Mil contası | HNBR / EPDM / PTFE. 2 O-Rings (HNBR / EPDM) 1 gasket (PTFE) additional PTFE-gasket |



Açıklama

Diğer bilgiler, istek üzerinedir.

Ürün

| Tanım | DN | Mil | A (mm) | B (mm) | L (mm) |
|----------------|----|---------|-----------|-----------|-----------|
| K- 07 30 00 51 | 8 | G 1/4 | 85,0 | 42,0 | 44,0 |
| K- 07 30 00 55 | 10 | G 3/8 | 85,0 | 42,0 | 51,0 |
| K- 07 30 00 59 | 15 | G 1/2 | 85,0 | 46,0 | 60,0 |
| K- 07 30 00 63 | 20 | G 3/4 | 105,0 | 53,0 | 70,0 |
| K- 07 30 00 67 | 25 | G 1 | 105,0 | 57,0 | 79,0 |
| K- 07 30 00 71 | 32 | G 1 1/4 | 130,0 | 70,0 | 91,0 |
| K- 07 30 00 75 | 40 | G 1 1/2 | 130,0 | 76,0 | 104,0 |
| K- 07 30 00 79 | 50 | G 2 | 165,0 | 92,0 | 122,0 |