

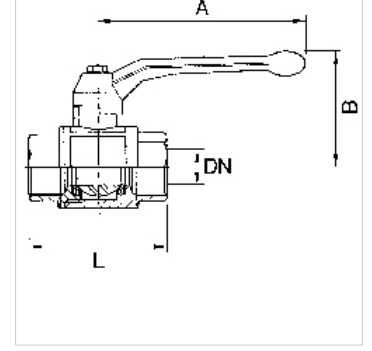
# K-BKR BLAU STAHLHEBEL IG AG

Ball valves with blue steel lever, lightweight type, female/male thread

**HANSA FLEX**

## Özellikler

<b>Kullanım Alanı</b>	Compressed air, water, non-toxic and non-corrosive gases, heating systems, agriculture
<b>Çalışma basıncı</b>	Max. 40 bar
<b>İşletim ısısı</b>	-15 °C to +90 °C
<b>Dişli açıklaması</b>	G thread acc. DIN EN ISO 228-1
<b>Gövde</b>	Nickel-plated brass
<b>Kol</b>	Steel, with plastic coating
<b>Bilye</b>	Chrome-plated brass
<b>Bilye contası</b>	PTFE
<b>Mil contası</b>	HNBR / EPDM / PTFE. 2 O-Rings (HNBR / EPDM) 1 gasket (PTFE) additional PTFE-gasket



## Açıklama

Diğer bilgiler, istek üzerinedir.

## Ürün

Tanım	DN	Mil	A (mm)	B (mm)	L (mm)
K- 07 30 00 48	8	G 1/4	85,0	42,0	44,0
K- 07 30 00 52	10	G 3/8	85,0	42,0	51,0
K- 07 30 00 56	15	G 1/2	85,0	46,0	60,0
K- 07 30 00 60	20	G 3/4	105,0	53,0	70,0
K- 07 30 00 64	25	G 1	105,0	57,0	79,0
K- 07 30 00 68	32	G 1 1/4	130,0	70,0	91,0
K- 07 30 00 72	40	G 1 1/2	130,0	76,0	104,0
K- 07 30 00 76	50	G 2	165,0	92,0	122,0