

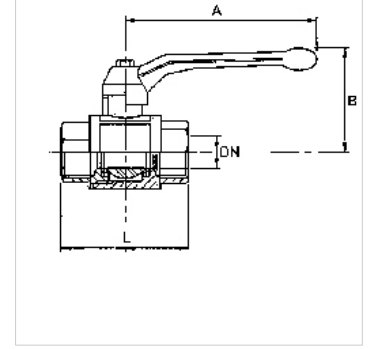
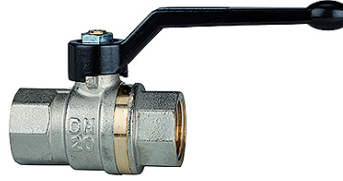
# K-BKR LANG IG IG

Ball valves, long-threaded type, female/female thread

**HANSA FLEX**

## Özellikler

<b>Kullanım Alanı</b>	Compressed air, water, non-toxic and non-corrosive gases, heating systems, agriculture
<b>Çalışma basıncı</b>	Max. 40 bar
<b>İşletim ısısı</b>	-15 °C to +90 °C
<b>Dişli açıklaması</b>	Thread acc. to ISO 7-1
<b>Gövde</b>	Nickel-plated brass
<b>Kol</b>	Aluminium, painted black
<b>Bilye</b>	Chrome-plated brass
<b>Bilye contası</b>	PTFE
<b>Mil contası</b>	NBR / EPDM



## Açıklama

G thread acc. to DIN EN ISO 228-1, with ISO flange plate (acc. to ISO 5211)

Diğer bilgiler, istek üzerinedir.

## Siparişe ilgili bilgiler

For use on devices that have to be vented whenever they are turned off, either because of safety regulations or for technical reasons. The pneumatic devices are disconnected from the system and simultaneously vented each time they are shut off.

## Ek bilgiler

The pressure values refer to a maximum operating temperature of 40 °C. Lower maximum pressure apply at higher temperatures. See data sheet.

## Ürün

Tanım	DN	Mil	A (mm)	B (mm)	L (mm)
K- 07 30 21 45	8	Rp/Rp 1/4	85,0	42,0	49,0
K- 07 30 21 46	10	Rp/Rp 3/8	85,0	42,0	50,0
K- 07 30 21 47	15	Rp/Rp 1/2	85,0	46,0	61,0
K- 07 30 21 48	20	Rp/Rp 3/4	105,0	53,0	70,0
K- 07 30 21 49	25	Rp/Rp 1	105,0	57,0	84,0
K- 07 30 21 50	32	Rp/Rp 1 1/4	130,0	70,0	97,0
K- 07 30 21 51	40	Rp/Rp 1 1/2	130,0	76,0	108,0
K- 07 30 21 52	50	Rp/Rp 2	165,0	92,0	130,0