

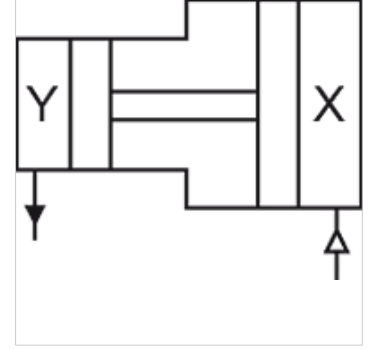
K-DVST OHNE REGLER

Pressure booster without regulator

HANSA FLEX

Özellikler

Giriş basıncı	2 - 10 bar
Çıkış basıncı	Max. 20 bar (regulated: max. 16 bar)
Sıcaklık sahası	-10 °C to +50 °C (40 mm bore), -10 °C to +60 °C (63 mm bore)
Akışkanlar	Filtered, unlubricated or lubricated compressed air (if lubrication is used, it must be continuous)
Yalıtım malzemesi	NBR
Basınç regülatörü	With plastic body
Gövde	Aluminium, anodised
Boru	Anodised aluminium jacket
Montaj	Any position, with 4 mounting holes
P2:P1	2:1



Açıklama

For information about calculating the filling times for different tank sizes, refer to the above-mentioned data sheet available on our website. Diğer bilgiler, istek üzerindedir.

Açıklama

Pressure multipliers (boosters) allow a separate compressed air store with up to double pressure to be installed for selected devices in a compressed air system without an external energy source, i.e. it is possible to work with a maximum pressure of 20 bar in a standard 10 bar system (maximum ratio 2:1). This is achieved using a double piston, which is operated by a combination of integrated check valves in such a way that the booster works automatically until the target pressure is reached in a compressed air tank and is then automatically switched off. A tank is always required to build up the pressure and store the compressed air!

Ek bilgiler

Fixing bracket with nut

Ürün

Tanım	Bağlantı	Ø piston (mm)	H (mm)	L (mm)
K- 07 25 08 64	G 1/8	40,0	64,0	194,0
K- 07 25 08 66	G 3/8	63,0	98,0	290,0

Aksesuar

K-ZUBEH ERSATZ LUFT BOOSTER Accessories / spare parts for Air-air-multiplier (booster)