

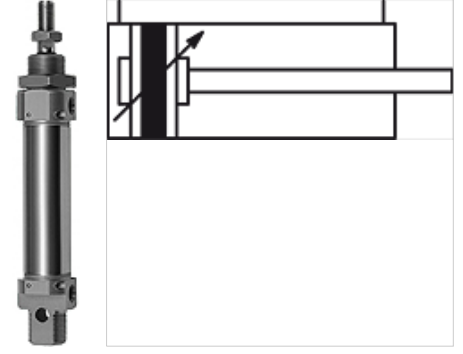
K-RUNDZYLINDER DOPP M D

Rundzylinder, doppeltwirkend (mit Magnet, mit einstellbarer Dämpfung)

HANSA FLEX

Özellikler

Akışkanlar	Filtered, unlubricated or lubricated compressed air. If lubrication is used, it must be continuous.
Çalışma basıncı	Max. 10 bar
Tepki verme basıncı	0,8 bar (Ø 8 bis Ø 12), 0,6 bar (Ø 16 bis Ø 25)
Sıcaklık sahası	-10 °C to +80 °C
Yapısı	Flanged joint between stainless steel barrel and heads
Piston çubuğu	C45 steel, hard chrome-plated
Boru	Stainless steel 1.4301
Piston	Synthetic (acetal) resin
Yalıtım malzemesi	NBR



Açıklama

Maximum recommended stroke: Double-acting: Ø 8 - Ø 10 = 100 stroke, Ø 12 - Ø 16 = 200 stroke, Ø 20 - Ø 25 = 250 stroke
Single-acting: Ø 8 - Ø 25 = 50 stroke. Longer stroke lengths can cause operational malfunctions.

Diğer bilgiler, istek üzerinedir.

Açıklama

Single and double-acting cylinders, with magnetic piston.

Ek bilgiler

Important: The scope of supply does not include a connector. Please order separately.

Ürün

Tanım	Ø piston	Darbe (mm)	Bağlantı	Dişli piston çubuğu
K- 07 15 24 89	16 mm	10	M 5	M 6
K- 07 15 24 90	16 mm	25	M 5	M 6
K- 07 15 24 91	16 mm	50	M 5	M 6
K- 07 15 24 92	16 mm	80	M 5	M 6
K- 07 15 24 93	16 mm	100	M 5	M 6
K- 07 15 24 94	16 mm	125	M 5	M 6
k- 07 15 24 95	16 mm	160	M 5	M 6
K- 07 15 24 96	16 mm	200	M 5	M 6
K- 07 15 24 97	20 mm	10	G 1/8	M 8
K- 07 15 24 98	20 mm	25	G 1/8	M 8
K- 07 15 24 99	20 mm	50	G 1/8	M 8
K- 07 15 25 00	20 mm	80	G 1/8	M 8
K- 07 15 25 01	20 mm	100	G 1/8	M 8
K- 07 15 25 02	20 mm	125	G 1/8	M 8
K- 07 15 25 03	20 mm	160	G 1/8	M 8
K- 07 15 25 04	20 mm	200	G 1/8	M 8
K- 07 15 25 05	20 mm	250	G 1/8	M 8
K- 07 15 25 06	25 mm	10	G 1/8	M 10 x 1.25
K- 07 15 25 07	25 mm	25	G 1/8	M 10 x 1.25
K- 07 15 24 88	25 mm	50	G 1/8	M 10 x 1.25
K- 07 15 25 08	25 mm	80	G 1/8	M 10 x 1.25
K- 07 15 25 09	25 mm	100	G 1/8	M 10 x 1.25
K- 07 15 25 10	25 mm	125	G 1/8	M 10 x 1.25
K- 07 15 25 11	25 mm	160	G 1/8	M 10 x 1.25
K- 07 15 25 12	25 mm	200	G 1/8	M 10 x 1.25
K- 07 15 25 13	25 mm	250	G 1/8	M 10 x 1.25