

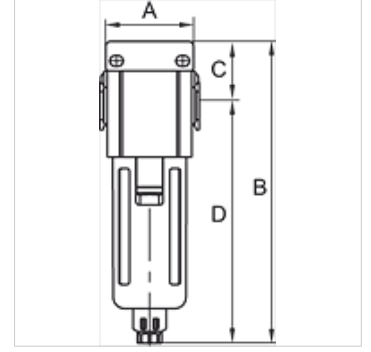
K-FI PC-BEHÄLTER V ABLV HW G

Filters with polycarbonate bowl, bowl guard and »HW« mounting bracket, fully-automatic drain valve

HANSA FLEX

Özellikler

Giriş basıncı	Max. 10 bar
Akışkan sıcaklığı	max. 70 °C
Ortam sıcaklığı	Max. 70 °C
Çalışma basıncı	1.5 - 9 bar
Filtre ünitesindeki delik genişliği	5 µm
Yalıtım malzemesi	NBR
Gövde	Die-cast aluminium
Drain valve	Semi- or fully-automatic
Akış değeri ölçümü	At P1 = 8 bar, P2 = 6 bar and pressure drop $\Delta p = 1$ bar
Diğer bilgiler	User manual on request



Ürün

Tanım	Mil	Akış (L/min)	A (mm)	B	C (mm)	TR (mm)	Model ebadı
K- 07 25 06 36	G 1/4	1550	51,0	164,0 mm	21,0	143,0	1
K- 07 25 06 38	G 3/8	1800	51,0	164,0 mm	21,0	143,0	1
K- 07 25 06 40	G 1/2	1800	51,0	164,0 mm	21,0	143,0	1
K- 07 25 06 42	G 3/8	4900	68,0	191,5 mm	25,0	166,5	2
K- 07 25 06 44	G 1/2	4900	68,0	191,5 mm	25,0	166,5	2

Aksesuar

K-ERSATZBEHÄLTER G UND G-MINI POLY	Spare tanks »G« Series and »G-mini« Series Polycarbonat
K-SCHUTZKORB G	Protective cage
K-FILTERELEMENT	Filter element
K-HALTERBAUSATZ	Holder
K-VERBINDUNGELEMENTE	Connecting sets
K-WANDHALTER	Wall bracket