

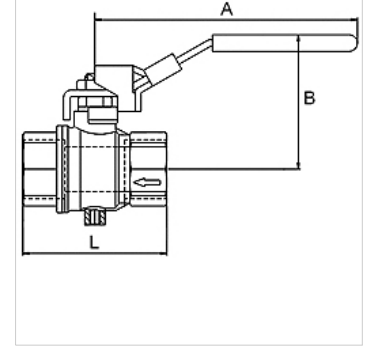
K-S-BKR M ENTL-BOHR ABSCHL

Safety ball valves, lockable, with relief port

HANSA FLEX

Özellikler

İşletim ısısı	-10 °C to + 100 °C (depending on operating pressure)
Hava tahliye deliği	M 5 (>1": Relief port G 1/4")
Dişli açıklaması	Rp thread acc. to EN 10226
Gövde	Nickel-plated brass
El kolu	Steel - PVC coated
Bilye	hardchrome-plated brass
Bilye contası	PTFE
Mil contası	PTFE



Açıklama

G thread acc. to DIN EN ISO 228-1, with ISO flange plate (acc. to ISO 5211)
Diğer bilgiler, istek üzerinedir.

Açıklama

2/2-way safety ball valves, two parts, made of nickel-plated brass. Specially designed for pneumatic applications.
The valve shuts off the supply line and bleds the application area. Lockable hand lever in closed position.

Ek bilgiler

The price does not include a padlock. Please order separately.

Ürün

Tanım	DN	Mil	PN (bar)	A (mm)	B (mm)	L (mm)
K- 07 30 29 29	8	Rp 1/4	14	96,0	49,0	45,0
K- 07 30 29 30	10	Rp 3/8	14	96,0	49,0	45,0
K- 07 30 29 31	15	Rp 1/2	14	96,0	51,0	59,0
K- 07 30 29 32	20	Rp 3/4	14	117,0	60,0	64,0
K- 07 30 29 33	25	Rp 1	14	117,0	64,0	81,0
K- 07 30 29 34	32	Rp 1 1/4	14	157,0	80,0	93,0
K- 07 30 29 35	40	Rp 1 1/2	14	157,0	86,0	102,0
K- 07 30 29 36	50	Rp 2	14	157,0	93,0	121,0

Aksesuar

K-VORHAENGESCHLOSS Padlock