

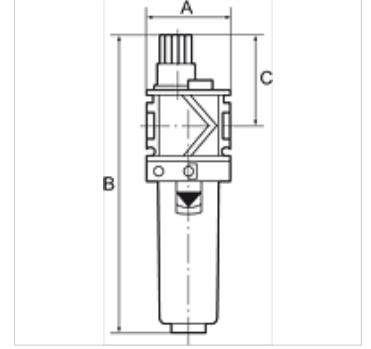
# K-NEBELOELER PC-BEHÄELTER S VARIOBL

Oil-mist lubricators with polycarbonate bowl and bowl guard

**HANSA FLEX**

## Özellikler

|                           |  |
|---------------------------|--|
| <b>Giriş basıncı</b>      | Max. 16 bar (polycarbonate bowl), Max. 20 bar (metal bowl) |
| <b>Akışkan sıcaklığı</b>  | max. 50 °C   |
| <b>Ortam sıcaklığı</b>    | Max. 50 °C (polycarbonate bowl), Max. 80 °C (metal bowl)   |
| <b>Yalıtım malzemesi</b>  | NBR  |
| <b>Gövde</b>              | Die-cast zinc  |
| <b>Damla örtüsü</b>       | PA   |
| <b>Yağ türü</b>           | CL 32 acc. to DIN 51517 - ISO VG 32                        |
| <b>Akış değeri ölçümü</b> | At P1 = 6 bar and pressure drop $\Delta p = 1$ bar         |



## Açıklama

Diğer bilgiler, istek üzerinedir.

## Açıklama

Proportional lubricators, oil can be filled under pressure. Approved series in modern industrial design, with the following key benefits: Simple handling, Convenient modular assembly thanks to innovative fasteners, Excellent flow values.

## Siparişe ilgili bilgiler

Oil-mist lubricators are also available with bowl guard or metal bowl.

## Ürün

| Tanım          | Mil   | Akış<br>(L/min) | A<br>(mm) | B        | C<br>(mm) |
|----------------|-------|-----------------|-----------|----------|-----------|
| K- 07 25 22 87 | G 1   | 7500            | 124,0     | 224,0 mm | 57,0      |
| K- 07 25 22 88 | G 3/4 | 7500            | 70,0      | 224,0 mm | 57,0      |
| K- 07 25 22 89 | G 1/2 | 4600            | 70,0      | 224,0 mm | 57,0      |
| K- 07 25 22 90 | G 3/8 | 4400            | 48,0      | 171,0 mm | 52,0      |
| K- 07 25 22 91 | G 1/4 | 3400            | 48,0      | 171,0 mm | 52,0      |