

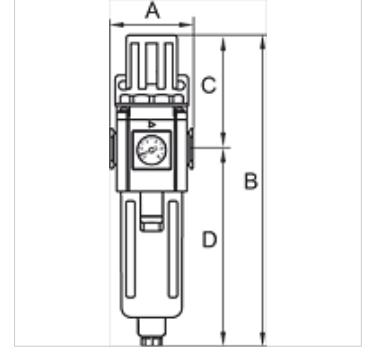
K-FI REGL METALLBEHAE V HW G

Filter regulators with metal bowl, sight glass and »HW« mounting bracket, fully-automatic drain valve

HANSA FLEX

Özellikler

Giriş basıncı	Max. 10 bar
Akışkan sıcaklığı	max. 70 °C
Ortam sıcaklığı	Max. 70 °C
Filtre ünitesindeki delik genişliği	5 µm
Yalıtım malzemesi	NBR
Yay kapağı	POM
Gövde	Die-cast aluminium
Drain valve	Semi- or fully-automatic
Akış değeri ölçümü	At P1 = 8 bar, P2 = 6 bar and pressure drop $\Delta p = 1$ bar
Diğer bilgiler	User manual on request



Ürün

Tanım	Mil	Ayar aralığı	Akış (L/min)	A (mm)	B	C (mm)	TR (mm)	Model ebadı
K- 07 25 07 06	G 3/4	1.5 - 9 bar	7000	85,0	363,0 mm	144,0	219,0	600
K- 07 25 07 08	G 1	1.5 - 9 bar	7000	85,0	363,0 mm	144,0	219,0	600

Aksesuar

K-VERSCHLEI-SATZ	Set of wearing parts
K-ERSATZMEMBRANE	Replacement diaphragm
K-ADAPTERPLATTEN HANSA	Adapter plate HANSA
K-ERSATZBEHAELTER G UND G-MINI POLY	Spare tanks »G« Series and »G-mini« Series Polycarbonat
K-FILTERELEMENT	Filter element
K-HALTERBAUSATZ	Holder
K-VERBINDUNGELEMENTE	Connecting sets
K-WANDHALTER	Wall bracket