

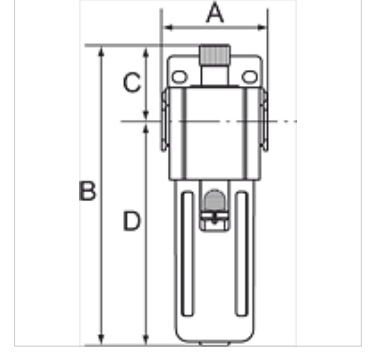
K-NEBELOELER PC-BEHÄLTER HW G

Oil-mist lubricators with polycarbonate bowl, bowl guard and »HW« mounting bracket

HANSA FLEX

Özellikler

Giriş basıncı	Max. 10 bar
Akışkan sıcaklığı	max. 70 °C
Ortam sıcaklığı	Max. 70 °C
Çalışma basıncı	0.5 - 9 bar
Yalıtım malzemesi	NBR
Yay kapağı	POM
Gövde	Die-cast aluminium
Damla örtüsü	Brass/POM
Akış değeri ölçümü	At P1 = 8 bar, P2 = 6 bar and pressure drop $\Delta p = 1$ bar
Diğer bilgiler	User manual on request



Ürün

Tanım	Mil	Akış (L/min)	A (mm)	B	C (mm)	TR (mm)	Model ebadı
K- 07 25 08 68	G 1/4	2200	51,0	169,0 mm	44,0	125,0	300
K- 07 25 08 69	G 3/8	2650	51,0	169,0 mm	44,0	125,0	300
K- 07 25 08 70	G 1/2	2650	51,0	169,0 mm	44,0	125,0	300
K- 07 25 08 71	G 3/8	7500	68,0	190,0 mm	48,0	142,0	400
K- 07 25 08 72	G 1/2	7500	68,0	190,0 mm	48,0	142,0	400

Aksesuar

K-ERSATZBEHÄLTER G UND G-MINI POLY	Spare tanks »G« Series and »G-mini« Series Polycarbonat
K-HALTERBAUSATZ	Holder
K-VERBINDUNGSELEMENTE	Connecting sets
K-WANDHALTER	Wall bracket