

K-RED STUECK 20-63 INFI

Reducer Ø 20 mm – Ø 63 mm

HANSA FLEX

Özellikler

Akışkanlar Compressed air, vacuum, inert gases

Çalışma basıncı -0,99 bar - 15 bar

Sıcaklık sahası -20 °C to +80 °C

Conta NBR

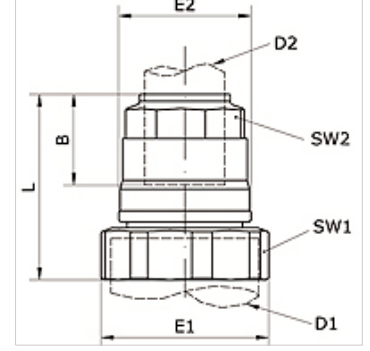
Gövde Nickel-plated brass

Sıkıştırma halkası Stainless steel 1.4301

Somun Nickel-plated brass

Conta halkası NBR

Emniyet halkası Technopolymer



Ürün

Tanım	Borunun dış çapı	B (mm)	D1 (mm)	D2 (mm)	E1 (mm)	E2 (mm)	L (mm)	SW1 (mm)	SW2 (mm)
K- 07 40 54 26	25 - 20 mm	31,5	25,0	20	43,5	34,5	48,0	42	30
K- 07 40 54 27	32 - 20 mm	31,5	32,0	20	54,0	34,5	48,5	52	30
K- 07 40 54 28	32 - 25 mm	38,5	32,0	25	54,0	42,5	55,0	63	35
K- 07 40 54 29	40 - 20 mm	31,5	40,0	20	65,0	34,5	50,0	63	30
K- 07 40 54 30	40 - 25 mm	38,5	40,0	25	65,0	42,5	56,5	63	35
K- 07 40 54 31	40 - 32 mm	46,0	40,0	32	65,0	52,0	63,5	63	45
K- 07 40 54 32	50 - 32 mm	46,0	50,0	32	75,0	52,0	63,5	73	45
K- 07 40 54 33	50 - 40 mm	52,0	50,0	40	75,0	63,0	69,0	73	55