

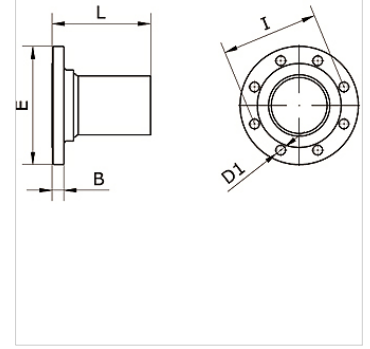
K-ROHRFLANSCH ALU INFI

Pipe flange according to UNI EN 1092 - 4 PN 16 made of aluminium

HANSA FLEX

Özellikler

Malzeme Aluminium surface treated



Ürün

| Tanım | Borunun dış çapı | B (mm) | D1 (mm) | E (mm) | I (mm) | L (mm) |
|----------------|------------------|-----------|------------|-----------|-----------|-----------|
| K- 07 40 55 11 | 80 mm | 20,0 | 18,0 | 200,0 | 160,0 | 155,0 |
| K- 07 40 54 58 | 110 mm | 18,0 | 18,0 | 220,0 | 180,0 | 183,0 |