

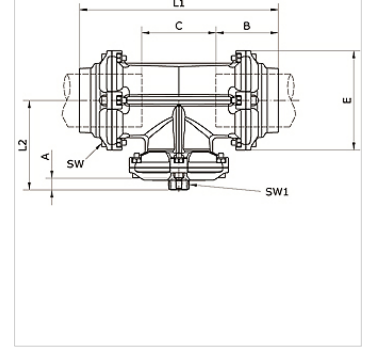
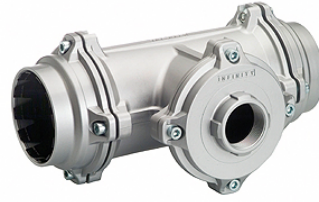
# K-T-STECK VB 80-100 SCHANH RED INFI

T-push-in connector Ø 80 mm/Ø 110 mm with integrated gooseneck and reduced outlet with female thread

**HANSA FLEX**

## Özellikler

Akışkanlar	Compressed air, vacuum, inert gases
Çalışma basıncı	-0,99 bar - 15 bar
Sıcaklık sahası	-20 °C to +80 °C
Kılavuz halkası	Technopolymer
Gövde	Aluminium, treated surface
Somun vidası	Galvanised steel
Sıkıştırma halkası	Stainless steel 1.4301
Somun	Aluminium, surface treated
Conta halkası	NBR
kendinden emniyetli somun	Galvanised steel
Emniyet halkası	Technopolymer



## Ürün

Tanım	Borunun dış çapı	Bağlantı	A (mm)	B (mm)	C (mm)	E (mm)	L1 (mm)	L2 (mm)	SW (mm)	SW1 (mm)
K- 07 40 55 17	80 - 80 mm	G 3/4	14,5	91,0	109,0	145,0	291,5	138,0	6	42
K- 07 40 55 18	80 - 80 mm	G 1	17,0	91,0	109,0	145,0	291,5	138,0	6	49
K- 07 40 55 19	80 - 80 mm	G 1 1/2	20,0	91,0	109,0	145,0	291,5	138,0	6	66
K- 07 40 55 20	80 - 80 mm	G 2	22,0	91,0	109,0	145,0	291,5	138,0	6	80
K- 07 40 54 69	110 - 110 mm	G 3/4	14,5	125,5	150,5	200,0	401,0	180,0	8	42
K- 07 40 54 70	110 - 110 mm	G 1	17,0	125,5	150,5	200,0	401,0	180,0	8	49
K- 07 40 54 71	110 - 110 mm	G 1 1/2	20,0	125,5	150,5	200,0	401,0	180,0	8	66
K- 07 40 54 72	110 - 110 mm	G 2	22,0	125,5	150,5	200,0	401,0	180,0	8	80