

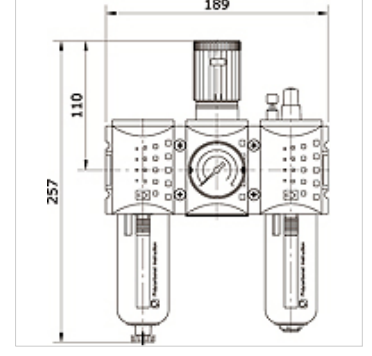
K-WTEH 3-TEILIG HANSA PRO

3-part service unit, with manual/semi-automatic condensate drain and pressure gauge, HANSA PRO

HANSA FLEX

Özellikler

Çıkış basıncı	Pa 0,5 - 8 bar (Standart)Pa 0,1 - 1 barPa 0,1 - 2 barPa 0,2 - 4 barPa 0,5 - 10 barPa 0,5 - 16 bar
Akışkan sıcaklığı	-10 °C to +50 °C
Ortam sıcaklığı	-10 °C to +50 °C
Akışkanlar	Basıncılı hava
Model	Centrifugal filter membrane pressure regulator with relieving, fog lubricator
Sabitlenme türü	Line mounting, panel mounting, mounting kit or wall mounting
Çalıştırma / sigorta	lockable handwheel
Yerleştirme konumu	Vertical, drain down
Filtre hassasiyeti	5,00 µm
Manometre bağlantısı	G 1/4 i
maks. yoğuşma miktarı	49 cc
maks. yağ doldurma miktarı	80 cc
Nominal akış G 1/2	3.500 l/min (P1 = 10 bar, P2 = 6,3 bar/ Delta P = 1 bar)
Nominal akış G 3/8	3.500 l/min (P1 = 10 bar, P2 = 6,3 bar/ Delta P = 1 bar)
qv=1000 l/dak için yağ dozajlaması	1-2 drops / min (guideline)
PE maks 12	16 bar
Filtre ünitesi	Cellpor
Gövde	PA66
Membran, contalar	Ms/NBR/PA6
Damla örtüsü	Polycarbonate
Yağ türü	CL 32 acc. to DIN 51517 - ISO VG 32



Ürün

Tanım	Bağlantı	Ayar aralığı	Gösterge alanları	Kap	Model ebadı	Yoğuşma tahliyesi
K- 07 25 22 12	G 3/8 i	0.1 - 1 bar	0 - 1,6 bar	polycarbonate with protective cage	2	manual / semi-automatic
K- 07 25 22 13	G 3/8 i	0.1 - 2 bar	0 - 2,5 bar	polycarbonate with protective cage	2	manual / semi-automatic
K- 07 25 22 14	G 3/8 i	0.2 - 4 bar	0 - 6 bar	polycarbonate with protective cage	2	manual / semi-automatic
K- 07 25 22 15	G 3/8 i	0.5 - 8 bar	0 - 10 bar	polycarbonate with protective cage	2	manual / semi-automatic
K- 07 25 22 16	G 3/8 i	0.5 - 10 bar	0 - 16 bar	polycarbonate with protective cage	2	manual / semi-automatic
K- 07 25 22 17	G 3/8 i	0.5 - 16 bar	0 - 25 bar	polycarbonate with protective cage	2	manual / semi-automatic
K- 07 25 22 18	G 1/2 i	0.1 - 1 bar	0 - 1,6 bar	polycarbonate with protective cage	2	manual / semi-automatic
K- 07 25 22 19	G 1/2 i	0.1 - 2 bar	0 - 2,5 bar	polycarbonate with protective cage	2	manual / semi-automatic
K- 07 25 22 20	G 1/2 i	0.2 - 4 bar	0 - 6 bar	polycarbonate with protective cage	2	manual / semi-automatic
K- 07 25 22 21	G 1/2 i	0.5 - 8 bar	0 - 10 bar	polycarbonate with protective cage	2	manual / semi-automatic
K- 07 25 22 22	G 1/2 i	0.5 - 10 bar	0 - 16 bar	polycarbonate with protective cage	2	manual / semi-automatic
K- 07 25 22 23	G 1/2 i	0.5 - 16 bar	0 - 25 bar	polycarbonate with protective cage	2	manual / semi-automatic
K- 07 25 22 24	G 3/8 i	0.1 - 1 bar	0 - 1,6 bar	zinc with visual display	2	manual / semi-automatic
K- 07 25 22 25	G 3/8 i	0.1 - 2 bar	0 - 2,5 bar	zinc with visual display	2	manual / semi-automatic
K- 07 25 22 26	G 3/8 i	0.2 - 4 bar	0 - 6 bar	zinc with visual display	2	manual / semi-automatic
K- 07 25 22 27	G 3/8 i	0.5 - 8 bar	0 - 10 bar	zinc with visual display	2	manual / semi-automatic
K- 07 25 22 28	G 3/8 i	0.5 - 10 bar	0 - 16 bar	zinc with visual display	2	manual / semi-automatic
K- 07 25 22 29	G 3/8 i	0.5 - 16 bar	0 - 25 bar	zinc with visual display	2	manual / semi-automatic
K- 07 25 22 30	G 1/2 i	0.1 - 1 bar	0 - 1,6 bar	zinc with visual display	2	manual / semi-automatic
K- 07 25 22 31	G 1/2 i	0.1 - 2 bar	0 - 2,5 bar	zinc with visual display	2	manual / semi-automatic
K- 07 25 22 32	G 1/2 i	0.2 - 4 bar	0 - 6 bar	zinc with visual display	2	manual / semi-automatic
K- 07 25 22 33	G 1/2 i	0.5 - 8 bar	0 - 10 bar	zinc with visual display	2	manual / semi-automatic
K- 07 25 22 34	G 1/2 i	0.5 - 10 bar	0 - 16 bar	zinc with visual display	2	manual / semi-automatic
K- 07 25 22 35	G 1/2 i	0.5 - 16 bar	0 - 25 bar	zinc with visual display	2	manual / semi-automatic