

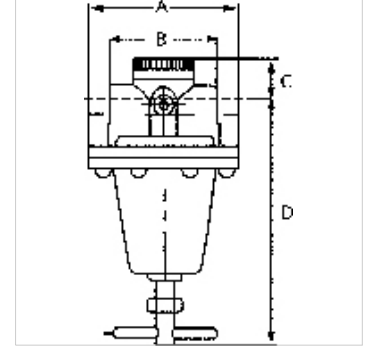
# K-KONSTANT DRUCKREGLER STANDARD 2

Constant-pressure regulators

**HANSA FLEX**

## Özellikler

Giriş basıncı	Max. 25 bar (G 1/4 to G 1/2), Max. 40 bar (G 3/4 to G 1 1/2)
Akışkan sıcaklığı	max. 60 °C
Ortam sıcaklığı	Max. 90 °C
Yalıtım malzemesi	NBR
Gövde	Die-cast zinc for (G 1/4 to G 1/2), for Brass (G 3/4 to G 1 1/2)
Akış değeri ölçümü	At P1 = 8 bar, P2 = 6 bar and pressure drop $\Delta p = 1$ bar
Diğer bilgiler	User manual on request



## Açıklama

Reversible diaphragm pressure regulators, independent of inlet pressure, with self-relieving design. The pressure regulators maintain a constant working pressure regardless of variations in the inlet pressure.

## Ürün

Tanım	Mil	Ayar aralığı	Akış (L/min)	A (mm)	B	C (mm)	TR (mm)	DN
K- 07 25 03 98	G 3/4	0.5 - 3 bar	8700	116,0	93,0 mm	43,0	177,0	20
K- 07 25 03 99	G 3/4	0.5 - 6 bar	8200	116,0	93,0 mm	43,0	177,0	20
K- 07 25 04 00	G 3/4	0.5 - 10 bar	7830	116,0	93,0 mm	43,0	177,0	20
K- 07 25 04 01	G 3/4	0.5 - 16 bar	7400	116,0	93,0 mm	43,0	172,0	20
K- 07 25 04 02	G 3/4	0.5 - 25 bar	6500	116,0	93,0 mm	43,0	172,0	20
K- 07 25 04 03	G 1	0.5 - 3 bar	8700	116,0	81,0 mm	43,0	177,0	20
K- 07 25 04 04	G 1	0.5 - 6 bar	8200	116,0	81,0 mm	43,0	177,0	20
K- 07 25 04 05	G 1	0.5 - 10 bar	7830	116,0	81,0 mm	43,0	177,0	20
K- 07 25 04 06	G 1	0.5 - 16 bar	7400	116,0	81,0 mm	43,0	172,0	20
K- 07 25 04 07	G 1	0.5 - 25 bar	6500	116,0	81,0 mm	43,0	172,0	20
K- 07 25 04 08	G 1 1/4	0.5 - 3 bar	16000	114,0	126,0 mm	48,0	189,0	25
K- 07 25 04 09	G 1 1/4	0.5 - 6 bar	14000	114,0	126,0 mm	48,0	189,0	25
K- 07 25 04 10	G 1 1/4	0.5 - 10 bar	12160	114,0	126,0 mm	48,0	189,0	25
K- 07 25 04 11	G 1 1/4	0.5 - 16 bar	11000	114,0	126,0 mm	48,0	184,0	25
K- 07 25 04 12	G 1 1/4	0.5 - 25 bar	8500	114,0	126,0 mm	48,0	184,0	25
K- 07 25 04 13	G 1 1/2	0.5 - 3 bar	16000	114,0	114,0 mm	48,0	189,0	25
K- 07 25 04 14	G 1 1/2	0.5 - 6 bar	14000	114,0	114,0 mm	48,0	189,0	25
K- 07 25 04 15	G 1 1/2	0.5 - 10 bar	12160	114,0	114,0 mm	48,0	189,0	25
K- 07 25 04 16	G 1 1/2	0.5 - 16 bar	11000	114,0	114,0 mm	48,0	184,0	25
K- 07 25 04 17	G 1 1/2	0.5 - 25 bar	8500	114,0	114,0 mm	48,0	184,0	25

## Yedek Parçalar

K-HALTERBAUSATZ STANDARD	Holder
K-VERSCHLEI-SATZ	Set of wearing parts
K-RD NIPPEL KURZ 1	Reducing nipples, short type
K-XV AGM 2	Double nipples, parallel male thread