

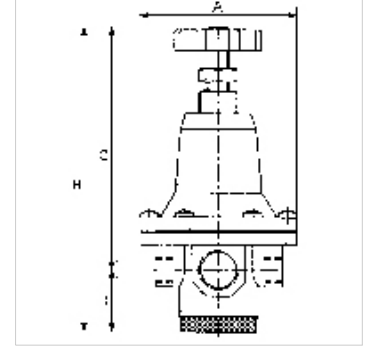
K-DBV MANO 1/2"

Pressure limiting valves size 1/2

HANSA FLEX

Özellikler

Model	Spring-loaded, non-return diaphragm valve with adjustable opening pressure
Akışkan sıcaklığı	max. 60 °C
Ortam sıcaklığı	Max. 60 °C
Yalıtım malzemesi	NBR
Yay kapağı	POM/brass
Gövde	Die-cast zinc, painted silver
Membran	NBR



Açıklama

Diğer bilgiler, istek üzerinedir.

Açıklama

Manually adjustable overflow valves. For protecting pneumatic systems against damage caused by excess pressure.

Ürün

Tanım	Mil	Ayar aralığı	A (mm)	B	C (mm)	TR (mm)
K- 07 25 01 97	G 1/2	0.5 - 3.0 bar	82,0	162,0 mm	129,0	33,0
K- 07 25 01 98	G 1/2	0.5 - 5.5 bar	82,0	162,0 mm	129,0	33,0
K- 07 25 01 99	G 1/2	0.5 - 10.0 bar	82,0	162,0 mm	129,0	33,0

Yedek Parçalar

K-HALTERBAUSATZ STANDARD	Holder
K-GERAETESTECKER	Coupling socket
K-SCHALLDAE SINTERBR AG 569	Silencers, sintered bronze, flat type with male thread, 569 Series
K-VERSCHLEI-SATZ	Set of wearing parts
K-KM MS	Hexagonal lock nuts, brass