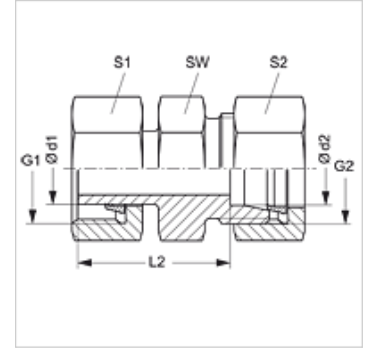


### 属性

|        |              |
|--------|--------------|
| 接口 1   | 米制螺母螺纹       |
| 密封形式 1 | 带切割环的管接头     |
| 接口 2   | 米制外螺纹,圆柱形    |
| 密封形式 2 | 24°内锥        |
| 结构类型   | 变径螺栓连接       |
| 结构形式   | 直道           |
| 标准     | ISO 8434-1   |
| 供货范围   | 带锁紧螺母和切割环的接套 |
| 原料     | 黄铜           |



### 货品

| 名称               | 结构系列 | 工作压力 巴 | Ø d1 (mm) | Ø d2 (mm) | G1         | G2         | L2 (mm) | SW (mm) | S1 | S2 |
|------------------|------|--------|-----------|-----------|------------|------------|---------|---------|----|----|
| AH NW 06 L 04 MG | L    | PN 200 | 8         | 6         | M 14 x 1.5 | M 12 x 1.5 | 25,5    | 12      | 17 | 14 |
| AH NW 08 L 04 MG | L    | PN 200 | 10        | 6         | M 16 x 1.5 | M 12 x 1.5 | 27,0    | 12      | 19 | 14 |
| AH NW 08 L 06 MG | L    | PN 200 | 10        | 8         | M 16 x 1.5 | M 14 x 1.5 | 27,5    | 14      | 19 | 17 |
| AH NW 10 L 04 MG | L    | PN 200 | 12        | 6         | M 18 x 1.5 | M 12 x 1.5 | 28,0    | 14      | 22 | 14 |
| AH NW 10 L 06 MG | L    | PN 200 | 12        | 8         | M 18 x 1.5 | M 14 x 1.5 | 29,0    | 14      | 22 | 17 |
| AH NW 10 L 08 MG | L    | PN 200 | 12        | 10        | M 18 x 1.5 | M 16 x 1.5 | 30,0    | 17      | 22 | 19 |
| AH NW 13 L 04 MG | L    | PN 200 | 15        | 6         | M 22 x 1.5 | M 12 x 1.5 | 29,0    | 17      | 27 | 14 |
| AH NW 13 L 06 MG | L    | PN 200 | 15        | 8         | M 22 x 1.5 | M 14 x 1.5 | 29,0    | 17      | 27 | 17 |
| AH NW 13 L 08 MG | L    | PN 200 | 15        | 10        | M 22 x 1.5 | M 16 x 1.5 | 30,0    | 17      | 27 | 19 |
| AH NW 13 L 10 MG | L    | PN 200 | 15        | 12        | M 22 x 1.5 | M 18 x 1.5 | 31,0    | 19      | 27 | 22 |
| AH NW 16 L 06 MG | L    | PN 200 | 18        | 8         | M 26 x 1.5 | M 14 x 1.5 | 31,0    | 19      | 32 | 17 |
| AH NW 16 L 08 MG | L    | PN 200 | 18        | 10        | M 26 x 1.5 | M 16 x 1.5 | 32,0    | 19      | 32 | 19 |
| AH NW 16 L 10 MG | L    | PN 200 | 18        | 12        | M 26 x 1.5 | M 18 x 1.5 | 33,0    | 19      | 32 | 22 |
| AH NW 16 L 13 MG | L    | PN 200 | 18        | 15        | M 26 x 1.5 | M 22 x 1.5 | 34,0    | 24      | 32 | 27 |
| AH NW 20 L 13 MG | L    | PN 100 | 22        | 15        | M 30 x 2   | M 22 x 1.5 | 36,0    | 24      | 36 | 27 |
| AH NW 20 L 16 MG | L    | PN 100 | 22        | 18        | M 30 x 2   | M 26 x 1.5 | 36,5    | 27      | 36 | 32 |
| AH NW 25 L 08 MG | L    | PN 100 | 28        | 10        | M 36 x 2   | M 16 x 1.5 | 35,0    | 30      | 41 | 19 |
| AH NW 25 L 10 MG | L    | PN 100 | 28        | 12        | M 36 x 2   | M 18 x 1.5 | 36,0    | 30      | 41 | 22 |
| AH NW 25 L 13 MG | L    | PN 100 | 28        | 15        | M 36 x 2   | M 22 x 1.5 | 37,0    | 30      | 41 | 27 |
| AH NW 25 L 16 MG | L    | PN 100 | 28        | 18        | M 36 x 2   | M 26 x 1.5 | 37,5    | 30      | 41 | 32 |
| AH NW 25 L 20 MG | L    | PN 100 | 28        | 22        | M 36 x 2   | M 30 x 2   | 39,5    | 32      | 41 | 36 |
| AH NW 06 S 04 MG | S    | PN 400 | 10        | 8         | M 18 x 1.5 | M 16 x 1.5 | 34,0    | 17      | 22 | 19 |
| AH NW 08 S 03 MG | S    | PN 400 | 12        | 6         | M 20 x 1.5 | M 14 x 1.5 | 32,0    | 14      | 24 | 17 |
| AH NW 08 S 04 MG | S    | PN 400 | 12        | 8         | M 20 x 1.5 | M 16 x 1.5 | 34,0    | 17      | 24 | 19 |
| AH NW 08 S 06 MG | S    | PN 400 | 12        | 10        | M 20 x 1.5 | M 18 x 1.5 | 33,5    | 19      | 24 | 22 |
| AH NW 13 S 04 MG | S    | PN 250 | 16        | 8         | M 24 x 1.5 | M 16 x 1.5 | 37,0    | 17      | 30 | 19 |
| AH NW 13 S 06 MG | S    | PN 250 | 16        | 10        | M 24 x 1.5 | M 18 x 1.5 | 36,5    | 19      | 30 | 22 |
| AH NW 13 S 08 MG | S    | PN 250 | 16        | 12        | M 24 x 1.5 | M 20 x 1.5 | 38,5    | 22      | 30 | 24 |
| AH NW 16 S 04 MG | S    | PN 250 | 20        | 8         | M 30 x 2   | M 16 x 1.5 | 42,0    | 22      | 36 | 19 |
| AH NW 16 S 06 MG | S    | PN 250 | 20        | 10        | M 30 x 2   | M 18 x 1.5 | 41,5    | 22      | 36 | 22 |
| AH NW 16 S 08 MG | S    | PN 250 | 20        | 12        | M 30 x 2   | M 20 x 1.5 | 43,5    | 22      | 36 | 24 |
| AH NW 16 S 13 MG | S    | PN 250 | 20        | 16        | M 30 x 2   | M 24 x 1.5 | 44,5    | 27      | 36 | 30 |
| AH NW 20 S 16 MG | S    | PN 250 | 25        | 20        | M 36 x 2   | M 30 x 2   | 48,5    | 32      | 46 | 36 |
| AH NW 25 S 20 MG | S    | PN 250 | 30        | 25        | M 42 x 2   | M 36 x 2   | 57,0    | 41      | 50 | 46 |
| AH NW 32 S 25 MG | S    | PN 200 | 38        | 30        | M 52 x 2   | M 42 x 2   | 60,5    | 46      | 60 | 50 |

结构系列:LL=非常轻 L=轻 S=重 - PN = 额定压力 PB = 最大工作压力 - Ø d1 = 管外直径 - Ø d2 = 管外直径

### 产品变体

|       |                     |
|-------|---------------------|
| AH    | 变径螺栓连接,带锁紧螺母和切割环的接套 |
| AH VA | 变径螺栓连接,带锁紧螺母和切割环的接套 |