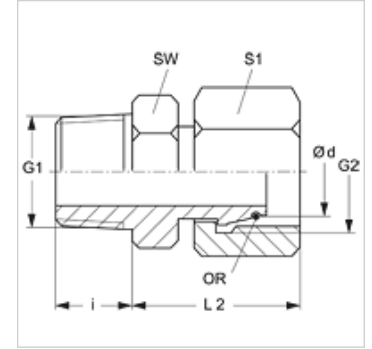


属性

| | |
|--------|------------------------|
| 接口 1 | NPT外螺纹 |
| 密封形式 1 | 螺纹密封式 |
| 接口 2 | 米制螺母螺纹 |
| 密封形式 2 | 带O形圈的24°外锥 |
| 结构类型 | 旋入式螺栓连接 |
| 结构形式 | 直道 |
| 标准 | DIN 2353 ISO 8434-1 |
| 原料 | 不锈钢 |



货品

| 名称 | 结构系列 | 工作压力 巴 | Ø d (mm) | G1 | G2 | i (mm) | L2 (mm) | SW (mm) | S1 | OR |
|---------------------|------|--------|----------|------------------|------------|--------|---------|---------|----|------------|
| AOVN NW 04 L VA | L | PN 315 | 6 | 1/8" -27 NPT | M 12 x 1.5 | 10,0 | 31,5 | 11 | 14 | 4.0 x 1.5 |
| AOVN NW 04 L 1/4 VA | L | PN 315 | 6 | 1/4" -18 NPT | M 12 x 1.5 | 15,0 | 37,0 | 14 | 14 | 4.0 x 1.5 |
| AOVN NW 06 L VA | L | PN 315 | 8 | 1/4" -18 NPT | M 14 x 1.5 | 14,5 | 37,5 | 14 | 17 | 6.0 x 1.5 |
| AOVN NW 08 L VA | L | PN 315 | 10 | 1/4" -18 NPT | M 16 x 1.5 | 14,5 | 38,0 | 14 | 19 | 7.5 x 1.5 |
| AOVN NW 08 L 3/8 VA | L | PN 315 | 10 | 3/8" -18 NPT | M 16 x 1.5 | 15,3 | 43,0 | 19 | 19 | 7.5 x 1.5 |
| AOVN NW 10 L 1/4 VA | L | PN 315 | 12 | 1/4" -18 NPT | M 18 x 1.5 | 15,0 | 40,0 | 17 | 22 | 9.0 x 1.5 |
| AOVN NW 10 L VA | L | PN 315 | 12 | 3/8" -18 NPT | M 18 x 1.5 | 14,5 | 40,0 | 19 | 22 | 9.0 x 1.5 |
| AOVN NW 10 L 1/2 VA | L | PN 315 | 12 | 1/2" -14 NPT | M 18 x 1.5 | 20,0 | 47,0 | 22 | 22 | 9.0 x 1.5 |
| AOVN NW 13 L VA | L | PN 315 | 15 | 1/2" -14 NPT | M 22 x 1.5 | 19,5 | 49,5 | 22 | 27 | 12.0 x 2.0 |
| AOVN NW 16 L VA | L | PN 315 | 18 | 1/2" -14 NPT | M 26 x 1.5 | 19,5 | 49,0 | 24 | 32 | 15.0 x 2.0 |
| AOVN NW 20 L 1/2 VA | L | PN 160 | 22 | 1/2" -14 NPT | M 30 x 2 | 20,0 | 50,0 | 27 | 36 | 20.0 x 2.0 |
| AOVN NW 20 L VA | L | PN 160 | 22 | 3/4" -14 NPT | M 30 x 2 | 19,5 | 52,0 | 27 | 36 | 20.0 x 2.0 |
| AOVN NW 25 L VA | L | PN 160 | 28 | 1" -11.5 NPT | M 36 x 2 | 24,5 | 61,0 | 36 | 41 | 26.0 x 2.0 |
| AOVN NW 32 L VA | L | PN 160 | 35 | 1.1/4" -11.5 NPT | M 45 x 2 | 25,0 | 65,5 | 46 | 50 | 32.0 x 2.5 |
| AOVN NW 40 L VA | L | PN 160 | 42 | 1.1/2" -11.5 NPT | M 52 x 2 | 26,0 | 68,5 | 50 | 60 | 38.0 x 2.5 |
| AOVN NW 03 S VA | S | PN 630 | 6 | 1/4" -18 NPT | M 14 x 1.5 | 14,5 | 37,5 | 14 | 17 | 4.0 x 1.5 |
| AOVN NW 04 S VA | S | PN 630 | 8 | 1/4" -18 NPT | M 16 x 1.5 | 14,5 | 38,0 | 14 | 19 | 6.0 x 1.5 |
| AOVN NW 06 S VA | S | PN 630 | 10 | 3/8" -18 NPT | M 18 x 1.5 | 14,5 | 40,5 | 19 | 22 | 7.5 x 1.5 |
| AOVN NW 08 S VA | S | PN 630 | 12 | 3/8" -18 NPT | M 20 x 1.5 | 14,5 | 42,0 | 19 | 24 | 9.0 x 1.5 |
| AOVN NW 08 S 1/4 VA | S | PN 630 | 12 | 1/4" -18 NPT | M 20 x 1.5 | 15,0 | 41,5 | 17 | 24 | 9.0 x 1.5 |
| AOVN NW 08 S 1/2 VA | S | PN 630 | 12 | 1/2" -14 NPT | M 20 x 1.5 | 20,0 | 48,0 | 22 | 24 | 9.0 x 1.5 |
| AOVN NW 10 S VA | S | PN 630 | 14 | 1/2" -14 NPT | M 22 x 1.5 | 19,5 | 50,5 | 22 | 27 | 10.0 x 2.0 |
| AOVN NW 13 S 3/8 VA | S | PN 400 | 16 | 3/8" -18 NPT | M 24 x 1.5 | 15,3 | 45,0 | 22 | 30 | 12.0 x 2.0 |
| AOVN NW 13 S VA | S | PN 400 | 16 | 1/2" -14 NPT | M 24 x 1.5 | 19,5 | 51,0 | 22 | 30 | 12.0 x 2.0 |
| AOVN NW 13 S 3/4 VA | S | PN 400 | 16 | 3/4" -14 NPT | M 24 x 1.5 | 20,0 | 49,0 | 27 | 30 | 12.0 x 2.0 |
| AOVN NW 16 S VA | S | PN 400 | 20 | 3/4" -14 NPT | M 30 x 2 | 19,5 | 54,0 | 27 | 36 | 16.3 x 2.4 |
| AOVN NW 20 S VA | S | PN 400 | 25 | 1" -11.5 NPT | M 36 x 2 | 24,5 | 63,5 | 36 | 46 | 20.3 x 2.4 |
| AOVN NW 25 S VA | S | PN 400 | 30 | 1.1/4" -11.5 NPT | M 42 x 2 | 25,0 | 70,5 | 46 | 50 | 25.3 x 2.4 |
| AOVN NW 32 S VA | S | PN 315 | 38 | 1.1/2" -11.5 NPT | M 52 x 2 | 26,0 | 73,5 | 50 | 60 | 33.3 x 2.4 |

结构系列: LL=非常轻 L=轻 S=重 - PN = 额定压力 PB = 最大工作压力 - Ø d = 管外直径

产品变体

AOVN 旋入式螺栓连接, 钢