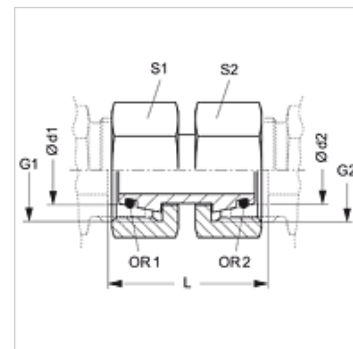


## 属性

接口 1	米制螺母螺纹
密封形式 1	带O形圈的24°外锥
接口 2	米制螺母螺纹
密封形式 2	带O形圈的24°外锥
结构类型	螺栓连接,双螺母
结构形式	直道
标准	DIN 2353 ISO 8434-1
原料	钢
表面保护	电镀涂层



## 提示

有关安装、装入、压力负荷和允许的工作温度的说明请您参阅管螺栓连接的技术信息。

## 货品

名称	结构系列	工作压力 巴	Ø d1 (mm)	Ø d2 (mm)	G1	G2	L (mm)	S1	S2	OR1	OR2
DMO NW 04 L	L	PN 315	6	6	M 12 x 1.5	M 12 x 1.5	32,0	14	14	4.0 x 1.5	4.0 x 1.5
DMO NW 04 L 06	L	PN 315	6	8	M 12 x 1.5	M 14 x 1.5	32,0	14	17	4.0 x 1.5	6.0 x 1.5
DMO NW 04 L 08	L	PN 315	6	10	M 12 x 1.5	M 16 x 1.5	33,0	14	19	4.0 x 1.5	7.5 x 1.5
DMO NW 04 L 10	L	PN 315	6	12	M 12 x 1.5	M 18 x 1.5	33,0	14	22	4.0 x 1.5	9.0 x 1.5
DMO NW 06 L	L	PN 315	8	8	M 14 x 1.5	M 14 x 1.5	32,0	17	17	6.0 x 1.5	6.0 x 1.5
DMO NW 06 L 08	L	PN 315	8	10	M 14 x 1.5	M 16 x 1.5	33,0	17	19	6.0 x 1.5	7.5 x 1.5
DMO NW 06 L 10	L	PN 315	8	12	M 14 x 1.5	M 18 x 1.5	33,0	17	22	6.0 x 1.5	9.0 x 1.5
DMO NW 06 L 13	L	PN 315	8	15	M 14 x 1.5	M 22 x 1.5	34,5	17	27	6.0 x 1.5	12.0 x 2.0
DMO NW 06 L 16	L	PN 315	8	18	M 14 x 1.5	M 26 x 1.5	36,0	17	32	6.0 x 1.5	15.0 x 2.0
DMO NW 08 L	L	PN 315	10	10	M 16 x 1.5	M 16 x 1.5	34,0	19	19	7.5 x 1.5	7.5 x 1.5
DMO NW 08 L 10	L	PN 315	10	12	M 16 x 1.5	M 18 x 1.5	33,0	19	22	7.5 x 1.5	9.0 x 1.5
DMO NW 08 L 13	L	PN 315	10	15	M 16 x 1.5	M 22 x 1.5	38,0	19	27	7.5 x 1.5	12.0 x 2.0
DMO NW 08 L 16	L	PN 315	10	18	M 16 x 1.5	M 26 x 1.5	36,0	19	32	7.5 x 1.5	15.0 x 2.0
DMO NW 10 L	L	PN 315	12	12	M 18 x 1.5	M 18 x 1.5	34,5	22	22	9.0 x 1.5	9.0 x 1.5
DMO NW 10 L 13	L	PN 315	12	15	M 18 x 1.5	M 22 x 1.5	38,0	22	27	9.0 x 1.5	12.0 x 2.0
DMO NW 10 L 16	L	PN 315	12	18	M 18 x 1.5	M 26 x 1.5	36,0	22	32	9.0 x 1.5	15.0 x 2.0
DMO NW 10 L 20	L	PN 160	12	22	M 18 x 1.5	M 30 x 2	40,0	22	36	9.0 x 1.5	20.0 x 2.0
DMO NW 13 L	L	PN 315	15	15	M 22 x 1.5	M 22 x 1.5	37,0	27	27	12.0 x 2.0	12.0 x 2.0
DMO NW 13 L 16	L	PN 315	15	18	M 22 x 1.5	M 26 x 1.5	36,0	27	32	12.0 x 2.0	15.0 x 2.0
DMO NW 13 L 20	L	PN 160	15	22	M 22 x 1.5	M 30 x 2	42,0	27	36	12.0 x 2.0	20.0 x 2.0
DMO NW 13 L 25	L	PN 160	15	28	M 22 x 1.5	M 36 x 2	46,0	27	41	12.0 x 2.0	26.0 x 2.0
DMO NW 16 L	L	PN 315	18	18	M 26 x 1.5	M 26 x 1.5	38,5	32	32	15.0 x 2.0	15.0 x 2.0
DMO NW 16 L 20	L	PN 160	18	22	M 26 x 1.5	M 30 x 2	42,0	32	36	15.0 x 2.0	20.0 x 2.0
DMO NW 16 L 25	L	PN 160	18	28	M 26 x 1.5	M 36 x 2	46,0	32	41	15.0 x 2.0	26.0 x 2.0
DMO NW 16 L 32	L	PN 160	18	35	M 26 x 1.5	M 45 x 2	45,0	32	50	15.0 x 2.0	32.0 x 2.5
DMO NW 20 L	L	PN 160	22	22	M 30 x 2	M 30 x 2	42,5	36	36	20.0 x 2.0	20.0 x 2.0
DMO NW 20 L 25	L	PN 160	22	28	M 30 x 2	M 36 x 2	46,0	36	41	20.0 x 2.0	26.0 x 2.0
DMO NW 20 L 32	L	PN 160	22	35	M 30 x 2	M 45 x 2	48,0	36	50	20.0 x 2.0	32.0 x 2.5
DMO NW 20 L 40	L	PN 160	22	42	M 30 x 2	M 52 x 2	47,5	36	60	20.0 x 2.0	38.0 x 2.5
DMO NW 25 L	L	PN 160	28	28	M 36 x 2	M 36 x 2	44,5	41	41	26.0 x 2.0	26.0 x 2.0
DMO NW 25 L 32	L	PN 160	28	35	M 36 x 2	M 45 x 2	48,0	41	50	26.0 x 2.0	32.0 x 2.5
DMO NW 25 L 40	L	PN 160	28	42	M 36 x 2	M 52 x 2	52,0	41	60	26.0 x 2.0	38.0 x 2.5
DMO NW 32 L	L	PN 160	35	35	M 45 x 2	M 45 x 2	51,0	50	50	32.0 x 2.5	32.0 x 2.5
DMO NW 32 L 40	L	PN 160	35	42	M 45 x 2	M 52 x 2	51,5	50	60	32.0 x 2.5	38.0 x 2.5
DMO NW 40 L	L	PN 160	42	42	M 52 x 2	M 52 x 2	52,0	60	60	38.0 x 2.5	38.0 x 2.5
DMO NW 04 L 03 S	L / S	PN 315	6	6	M 12 x 1.5	M 14 x 1.5	33,5	14	17	4.0 x 1.5	4.0 x 1.5
DMO NW 04 L 04 S	L / S	PN 315	6	8	M 12 x 1.5	M 16 x 1.5	33,0	14	19	4.0 x 1.5	6.0 x 1.5
DMO NW 04 L 06 S	L / S	PN 315	6	10	M 12 x 1.5	M 18 x 1.5	35,5	14	22	4.0 x 1.5	7.5 x 1.5
DMO NW 04 L 08 S	L / S	PN 315	6	12	M 12 x 1.5	M 20 x 1.5	38,0	14	24	4.0 x 1.5	9.0 x 1.5
DMO NW 06 L 03 S	L / S	PN 315	8	6	M 14 x 1.5	M 14 x 1.5	32,0	17	17	6.0 x 1.5	4.0 x 1.5
DMO NW 06 L 04 S	L / S	PN 315	8	8	M 14 x 1.5	M 16 x 1.5	33,0	17	19	6.0 x 1.5	6.0 x 1.5
DMO NW 06 L 06 S	L / S	PN 315	8	10	M 14 x 1.5	M 18 x 1.5	33,0	17	22	6.0 x 1.5	7.5 x 1.5
DMO NW 06 L 08 S	L / S	PN 315	8	12	M 14 x 1.5	M 20 x 1.5	36,0	17	24	6.0 x 1.5	9.0 x 1.5
DMO NW 06 L 13 S	L / S	PN 315	8	16	M 14 x 1.5	M 24 x 1.5	39,0	17	30	6.0 x 1.5	12.0 x 2.0



货品

名称	结构系列	工作压力 巴	Ø d1 (mm)	Ø d2 (mm)	G1	G2	L (mm)	S1	S2	OR1	OR2
DMO NW 08 L 03 S	L / S	PN 315	10	6	M 16 x 1.5	M 14 x 1.5	33,0	19	17	7.5 x 1.5	4.0 x 1.5
DMO NW 08 L 04 S	L / S	PN 315	10	8	M 16 x 1.5	M 16 x 1.5	33,0	19	19	7.5 x 1.5	6.0 x 1.5
DMO NW 08 L 06 S	L / S	PN 315	10	10	M 16 x 1.5	M 18 x 1.5	33,0	19	22	7.5 x 1.5	7.5 x 1.5
DMO NW 08 L 08 S	L / S	PN 315	10	12	M 16 x 1.5	M 20 x 1.5	36,0	19	24	7.5 x 1.5	9.0 x 1.5
DMO NW 08 L 10 S	L / S	PN 315	10	14	M 16 x 1.5	M 22 x 1.5	39,0	19	27	7.5 x 1.5	10.0 x 2.0
DMO NW 08 L 13 S	L / S	PN 315	10	16	M 16 x 1.5	M 24 x 1.5	39,0	19	30	7.5 x 1.5	12.0 x 2.0
DMO NW 10 L 06 S	L / S	PN 315	12	10	M 18 x 1.5	M 18 x 1.5	33,0	22	22	9.0 x 1.5	7.5 x 1.5
DMO NW 10 L 08 S	L / S	PN 315	12	12	M 18 x 1.5	M 20 x 1.5	36,0	22	24	9.0 x 1.5	9.0 x 1.5
DMO NW 10 L 10 S	L / S	PN 315	12	14	M 18 x 1.5	M 22 x 1.5	39,0	22	27	9.0 x 1.5	10.0 x 2.0
DMO NW 10 L 13 S	L / S	PN 315	12	16	M 18 x 1.5	M 24 x 1.5	39,0	22	30	9.0 x 1.5	12.0 x 2.0
DMO NW 10 L 16 S	L / S	PN 315	12	20	M 18 x 1.5	M 30 x 2	36,0	22	36	9.0 x 1.5	16.3 x 2.4
DMO NW 13 L 06 S	L / S	PN 315	15	10	M 22 x 1.5	M 18 x 1.5	38,0	27	22	12.0 x 2.0	7.5 x 1.5
DMO NW 13 L 08 S	L / S	PN 315	15	12	M 22 x 1.5	M 20 x 1.5	38,0	27	24	12.0 x 2.0	9.0 x 1.5
DMO NW 13 L 10 S	L / S	PN 315	15	14	M 22 x 1.5	M 22 x 1.5	38,0	27	27	12.0 x 2.0	10.0 x 2.0
DMO NW 13 L 13 S	L / S	PN 315	15	16	M 22 x 1.5	M 24 x 1.5	39,0	27	30	12.0 x 2.0	12.0 x 2.0
DMO NW 13 L 16 S	L / S	PN 315	15	20	M 22 x 1.5	M 30 x 2	44,0	27	36	12.0 x 2.0	16.3 x 2.4
DMO NW 13 L 20 S	L / S	PN 315	15	25	M 22 x 1.5	M 36 x 2	47,5	27	46	12.0 x 2.0	20.3 x 2.4
DMO NW 16 L 08 S	L / S	PN 315	18	12	M 26 x 1.5	M 20 x 1.5	38,0	32	24	15.0 x 2.0	9.0 x 1.5
DMO NW 16 L 10 S	L / S	PN 315	18	14	M 26 x 1.5	M 22 x 1.5	41,0	32	27	15.0 x 2.0	10.0 x 2.0
DMO NW 16 L 13 S	L / S	PN 315	18	16	M 26 x 1.5	M 24 x 1.5	39,0	32	30	15.0 x 2.0	12.0 x 2.0
DMO NW 16 L 16 S	L / S	PN 315	18	20	M 26 x 1.5	M 30 x 2	44,0	32	36	15.0 x 2.0	16.3 x 2.4
DMO NW 16 L 20 S	L / S	PN 315	18	25	M 26 x 1.5	M 36 x 2	48,0	32	46	15.0 x 2.0	20.3 x 2.4
DMO NW 16 L 25 S	L / S	PN 315	18	30	M 26 x 1.5	M 42 x 2	50,0	32	50	15.0 x 2.0	25.3 x 2.4
DMO NW 20 L 13 S	L / S	PN 160	22	16	M 30 x 2	M 24 x 1.5	42,0	36	30	20.0 x 2.0	12.0 x 2.0
DMO NW 20 L 16 S	L / S	PN 160	22	20	M 30 x 2	M 30 x 2	44,0	36	36	20.0 x 2.0	16.3 x 2.4
DMO NW 20 L 20 S	L / S	PN 160	22	25	M 30 x 2	M 36 x 2	46,0	36	46	20.0 x 2.0	20.3 x 2.4
DMO NW 20 L 25 S	L / S	PN 160	22	30	M 30 x 2	M 42 x 2	52,0	36	50	20.0 x 2.0	25.3 x 2.4
DMO NW 20 L 32 S	L / S	PN 160	22	38	M 30 x 2	M 52 x 2	52,0	36	60	20.0 x 2.0	33.3 x 2.4
DMO NW 25 L 13 S	L / S	PN 160	28	16	M 36 x 2	M 24 x 1.5	46,0	41	30	26.0 x 2.0	12.0 x 2.0
DMO NW 25 L 16 S	L / S	PN 160	28	20	M 36 x 2	M 30 x 2	46,0	41	36	26.0 x 2.0	16.3 x 2.4
DMO NW 25 L 20 S	L / S	PN 160	28	25	M 36 x 2	M 36 x 2	46,0	41	46	26.0 x 2.0	20.3 x 2.4
DMO NW 25 L 25 S	L / S	PN 160	28	30	M 36 x 2	M 42 x 2	52,0	41	50	26.0 x 2.0	25.3 x 2.4
DMO NW 25 L 32 S	L / S	PN 160	28	38	M 36 x 2	M 52 x 2	51,0	41	60	26.0 x 2.0	33.3 x 2.4
DMO NW 32 L 16 S	L / S	PN 160	35	20	M 45 x 2	M 30 x 2	48,0	50	36	32.0 x 2.5	16.3 x 2.4
DMO NW 32 L 20 S	L / S	PN 160	35	25	M 45 x 2	M 36 x 2	48,0	50	46	32.0 x 2.5	20.3 x 2.4
DMO NW 32 L 25 S	L / S	PN 160	35	30	M 45 x 2	M 42 x 2	52,0	50	50	32.0 x 2.5	25.3 x 2.4
DMO NW 32 L 32 S	L / S	PN 160	35	38	M 45 x 2	M 52 x 2	52,0	50	60	32.0 x 2.5	33.3 x 2.4
DMO NW 40 L 25 S	L / S	PN 160	42	30	M 52 x 2	M 42 x 2	52,0	60	50	38.0 x 2.5	25.3 x 2.4
DMO NW 40 L 32 S	L / S	PN 160	42	38	M 52 x 2	M 52 x 2	52,0	60	60	38.0 x 2.5	33.3 x 2.4
DMO NW 03 S	S	PN 630	6	6	M 14 x 1.5	M 14 x 1.5	35,0	17	17	4.0 x 1.5	4.0 x 1.5
DMO NW 03 S 04	S	PN 630	6	8	M 14 x 1.5	M 16 x 1.5	33,0	17	19	4.0 x 1.5	6.0 x 1.5
DMO NW 03 S 06	S	PN 630	6	10	M 14 x 1.5	M 18 x 1.5	32,0	17	22	4.0 x 1.5	7.5 x 1.5
DMO NW 03 S 08	S	PN 630	6	12	M 14 x 1.5	M 20 x 1.5	37,5	17	24	4.0 x 1.5	9.0 x 1.5
DMO NW 04 S	S	PN 630	8	8	M 16 x 1.5	M 16 x 1.5	35,0	19	19	6.0 x 1.5	6.0 x 1.5
DMO NW 04 S 06	S	PN 630	8	10	M 16 x 1.5	M 18 x 1.5	33,0	19	22	6.0 x 1.5	7.5 x 1.5
DMO NW 04 S 08	S	PN 630	8	12	M 16 x 1.5	M 20 x 1.5	36,0	19	24	6.0 x 1.5	9.0 x 1.5
DMO NW 06 S	S	PN 630	10	10	M 18 x 1.5	M 18 x 1.5	39,0	22	22	7.5 x 1.5	7.5 x 1.5
DMO NW 06 S 08	S	PN 630	10	12	M 18 x 1.5	M 20 x 1.5	36,0	22	24	7.5 x 1.5	9.0 x 1.5
DMO NW 06 S 10	S	PN 630	10	14	M 18 x 1.5	M 22 x 1.5	39,0	22	27	7.5 x 1.5	10.0 x 2.0
DMO NW 06 S 13	S	PN 400	10	16	M 18 x 1.5	M 24 x 1.5	39,0	22	30	7.5 x 1.5	12.0 x 2.0
DMO NW 08 S	S	PN 630	12	12	M 20 x 1.5	M 20 x 1.5	40,0	24	24	9.0 x 1.5	9.0 x 1.5
DMO NW 08 S 10	S	PN 630	12	14	M 20 x 1.5	M 22 x 1.5	39,0	24	27	9.0 x 1.5	10.0 x 2.0
DMO NW 08 S 13	S	PN 400	12	16	M 20 x 1.5	M 24 x 1.5	39,0	24	30	9.0 x 1.5	12.0 x 2.0
DMO NW 08 S 16	S	PN 400	12	20	M 20 x 1.5	M 30 x 2	39,0	24	36	9.0 x 1.5	16.3 x 2.4
DMO NW 10 S	S	PN 630	14	14	M 22 x 1.5	M 22 x 1.5	43,0	27	27	10.0 x 2.0	10.0 x 2.0
DMO NW 10 S 13	S	PN 400	14	16	M 22 x 1.5	M 24 x 1.5	39,0	27	30	10.0 x 2.0	12.0 x 2.0
DMO NW 10 S 16	S	PN 400	14	20	M 22 x 1.5	M 30 x 2	44,0	27	36	10.0 x 2.0	16.3 x 2.4
DMO NW 13 S	S	PN 400	16	16	M 24 x 1.5	M 24 x 1.5	44,0	30	30	12.0 x 2.0	12.0 x 2.0
DMO NW 13 S 16	S	PN 400	16	20	M 24 x 1.5	M 30 x 2	44,0	30	36	12.0 x 2.0	16.3 x 2.4
DMO NW 13 S 20	S	PN 400	16	25	M 24 x 1.5	M 36 x 2	46,0	30	46	12.0 x 2.0	20.3 x 2.4
DMO NW 13 S 25	S	PN 400	16	30	M 24 x 1.5	M 42 x 2	52,0	30	50	12.0 x 2.0	25.3 x 2.4
DMO NW 16 S	S	PN 400	20	20	M 30 x 2	M 30 x 2	53,5	36	36	16.3 x 2.4	16.3 x 2.4

### 货品

名称	结构系列	工作压力 巴	Ø d1 (mm)	Ø d2 (mm)	G1	G2	L (mm)	S1	S2	OR1	OR2
DMO NW 16 S 20	S	PN 400	20	25	M 30 x 2	M 36 x 2	46,0	36	46	16.3 x 2.4	20.3 x 2.4
DMO NW 16 S 25	S	PN 400	20	30	M 30 x 2	M 42 x 2	52,0	36	50	16.3 x 2.4	25.3 x 2.4
DMO NW 16 S 32	S	PN 315	20	38	M 30 x 2	M 52 x 2	52,0	36	60	16.3 x 2.4	33.3 x 2.4
DMO NW 20 S	S	PN 400	25	25	M 36 x 2	M 36 x 2	57,5	46	46	20.3 x 2.4	20.3 x 2.4
DMO NW 20 S 25	S	PN 400	25	30	M 36 x 2	M 42 x 2	52,0	46	50	20.3 x 2.4	25.3 x 2.4
DMO NW 20 S 32	S	PN 315	25	38	M 36 x 2	M 52 x 2	52,0	46	60	20.3 x 2.4	33.3 x 2.4
DMO NW 25 S	S	PN 400	30	30	M 42 x 2	M 42 x 2	60,5	50	50	25.3 x 2.4	25.3 x 2.4
DMO NW 25 S 32	S	PN 315	30	38	M 42 x 2	M 52 x 2	52,0	50	60	25.3 x 2.4	33.3 x 2.4
DMO NW 32 S	S	PN 315	38	38	M 52 x 2	M 52 x 2	65,5	60	60	33.3 x 2.4	33.3 x 2.4

结构系列:LL=非常轻 L=轻 S=重 - PN = 额定压力 PB = 最大工作压力 - Ø d1 = 管外直径 - Ø d2 = 管外直径

### 产品变体

DMO VA 螺栓连接,双螺母, 不锈钢