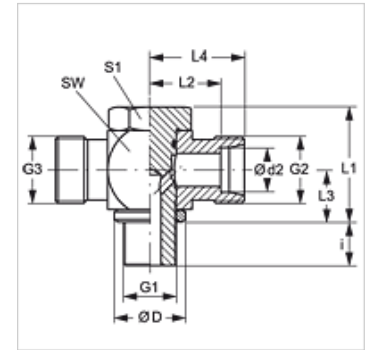


属性

| | |
|------------|----------------|
| 接口 1 | BSP外螺纹,圆柱形 |
| 密封形式 1 | E型 |
| 接口 2 + 3 | 米制外螺纹,圆柱形 |
| 密封形式 2 + 3 | 24°内锥 |
| 结构类型 | 无节流回转式螺栓连接(高压) |
| 结构形式 | T形 |
| 供货范围 | 接套(不带锁紧螺母和切割环) |
| 原料 | 不锈钢 |



提示

有关安装、装入、压力负荷和允许的工作温度的说明请您参阅管螺栓连接的技术信息。

订购指南

NBR 材料制成的密封件
FPM (氟胶) 应客户要求提供

货品

| 名称 | 结构系列 | 工作压力巴 | Ø d2 (mm) | G1 | G2 - G3 | Ø D (mm) | i (mm) | L1 (mm) | L2 (mm) | L3 (mm) | L4 (mm) | SW (mm) | S1 |
|-----------------------|------|--------|--------------|--------------|------------|-------------|-----------|------------|------------|------------|------------|------------|----|
| XSTOR 04 LL VA | LL | PN 63 | 4 | G 1/8" -28 | M 8 x 1 | 14,0 | 8 | 24 | 11,0 | 8,0 | 15,0 | 18 | 17 |
| XSTOR 06 LL VA | LL | PN 63 | 6 | G 1/8" -28 | M 10 x 1 | 14,0 | 8 | 24 | 11,5 | 10,0 | 17,0 | 18 | 17 |
| XSTOR 08 LL VA | LL | PN 63 | 8 | G 1/8" -28 | M 12 x 1 | 14,0 | 8 | 24 | 11,5 | 10,0 | 17,0 | 18 | 17 |
| XSTOR NW 04 HL VA | L | PN 250 | 6 | G 1/8" -28 | M 12 x 1.5 | 14,0 | 8 | 24 | 12,0 | 10,5 | 19,0 | 17 | 17 |
| XSTOR NW 06 HL VA | L | PN 250 | 8 | G 1/4" -19 | M 14 x 1.5 | 18,0 | 12 | 30 | 14,5 | 14,0 | 22,0 | 22 | 19 |
| XSTOR NW 08 HL VA | L | PN 250 | 10 | G 1/4" -19 | M 16 x 1.5 | 18,0 | 12 | 30 | 15,5 | 14,0 | 22,0 | 22 | 19 |
| XSTOR NW 10 HL 1/4 VA | L | PN 250 | 12 | G 1/4" -19 | M 18 x 1.5 | 18,0 | 12 | 30 | 15,5 | 14,0 | 22,5 | 22 | 22 |
| XSTOR NW 10 HL VA | L | PN 250 | 12 | G 3/8" -19 | M 18 x 1.5 | 22,0 | 12 | 36 | 18,0 | 16,5 | 28,0 | 27 | 24 |
| XSTOR NW 13 HL VA | L | PN 250 | 15 | G 1/2" -14 | M 22 x 1.5 | 26,0 | 14 | 45 | 21,5 | 21,5 | 29,0 | 32 | 30 |
| XSTOR NW 16 HL VA | L | PN 315 | 18 | G 1/2" -14 | M 26 x 1.5 | 26,0 | 14 | 45 | 21,0 | 21,5 | 28,0 | 32 | 30 |
| XSTOR NW 20 HL VA | L | PN 160 | 22 | G 3/4" -14 | M 30 x 2 | 32,0 | 16 | 53 | 27,5 | 24,0 | 35,0 | 41 | 36 |
| XSTOR NW 25 HL VA | L | PN 160 | 28 | G 1" -11 | M 36 x 2 | 39,0 | 18 | 66 | 32,0 | 30,5 | 40,0 | 50 | 46 |
| XSTOR NW 32 HL VA | L | PN 160 | 35 | G 1.1/4" -11 | M 45 x 2 | 49,0 | 20 | 76 | 36,0 | 35,5 | 47,0 | 60 | 55 |
| XSTOR NW 40 HL VA | L | PN 160 | 42 | G 1.1/2" -11 | M 52 x 2 | 55,0 | 22 | 87 | 40,5 | 40,5 | 51,0 | 70 | 60 |
| XSTOR NW 03 HS VA | S | PN 315 | 6 | G 1/4" -19 | M 14 x 1.5 | 18,0 | 12 | 30 | 16,5 | 14,0 | 22,0 | 22 | 19 |
| XSTOR NW 04 HS VA | S | PN 315 | 8 | G 1/4" -19 | M 16 x 1.5 | 18,0 | 12 | 30 | 16,5 | 14,0 | 22,0 | 22 | 19 |
| XSTOR NW 06 HS 1/4 VA | S | PN 315 | 10 | G 1/4" -19 | M 18 x 1.5 | 18,0 | 12 | 30 | 16,5 | 14,0 | 24,0 | 22 | 22 |
| XSTOR NW 06 HS VA | S | PN 315 | 10 | G 3/8" -19 | M 18 x 1.5 | 22,0 | 12 | 36 | 18,5 | 16,5 | 26,0 | 27 | 24 |
| XSTOR NW 08 HS VA | S | PN 315 | 12 | G 3/8" -19 | M 20 x 1.5 | 22,0 | 12 | 36 | 18,5 | 16,5 | 27,0 | 27 | 24 |
| XSTOR NW 10 HS VA | S | PN 315 | 14 | G 1/2" -14 | M 22 x 1.5 | 32,0 | 15 | 45 | 22,5 | 21,5 | 30,0 | 32 | 27 |
| XSTOR NW 13 HS VA | S | PN 315 | 16 | G 1/2" -14 | M 24 x 1.5 | 26,0 | 14 | 45 | 22,0 | 21,5 | 30,0 | 32 | 30 |
| XSTOR NW 16 HS VA | S | PN 160 | 20 | G 3/4" -14 | M 30 x 2 | 32,0 | 16 | 53 | 26,5 | 24,0 | 37,0 | 41 | 36 |
| XSTOR NW 20 HS VA | S | PN 160 | 25 | G 1" -11 | M 36 x 2 | 39,0 | 18 | 66 | 31,5 | 30,5 | 44,0 | 50 | 46 |
| XSTOR NW 25 HS VA | S | PN 160 | 30 | G 1.1/4" -11 | M 42 x 2 | 49,0 | 20 | 76 | 37,0 | 35,5 | 51,0 | 60 | 55 |
| XSTOR NW 32 HS VA | S | PN 160 | 38 | G 1.1/2" -11 | M 52 x 2 | 55,0 | 22 | 87 | 41,5 | 40,5 | 57,0 | 70 | 60 |

结构系列:LL=非常轻 L=轻 S=重 - PN = 额定压力 PB = 最大工作压力 - Ø d2 = 管外直径

产品变体

STOR VA 回转式螺栓连接,无节流,T形,带锁紧螺母和切割环的接套