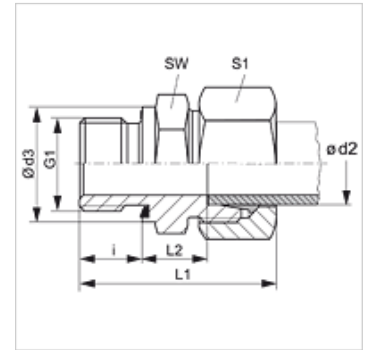


属性

| | |
|--------|------------------------|
| 接口 1 | 米制外螺纹,圆柱形 |
| 密封形式 1 | E型 |
| 接口 2 | 米制外螺纹,圆柱形 |
| 密封形式 2 | 24°内锥 |
| 结构类型 | 旋入式螺栓连接 |
| 结构形式 | 直道 |
| 标准 | DIN 2353 ISO 8434-1 |
| 供货范围 | 带锁紧螺母和切割环的接套 |
| 原料 | 不锈钢 |



提示

有关安装、装入、压力负荷和允许的工作温度的说明请您参阅管螺栓连接的技术信息。

订购指南

NBR 材料制成的密封件
FPM (氟胶) 应客户要求提供

货品

| 名称 | 结构系列 | 工作压力 巴 | Ø d2 (mm) | G1 | Ø d3 (mm) | i (mm) | L1 (mm) | L2 (mm) | SW (mm) | S1 |
|----------------------|------|--------|-----------|------------|-----------|--------|---------|---------|---------|----|
| VM NW 04 HL ED VA | L | PN 315 | 6 | M 10 x 1 | 14,0 | 8 | 31,0 | 8,5 | 14 | 14 |
| VM NW 04 HL 12 ED VA | L | PN 315 | 6 | M 12 x 1.5 | 17,0 | 12 | 36,5 | 8,5 | 17 | 14 |
| VM NW 04 HL 14 ED VA | L | PN 315 | 6 | M 14 x 1.5 | 19,0 | 12 | 39,0 | 10,0 | 19 | 14 |
| VM NW 06 HL 10 ED VA | L | PN 315 | 8 | M 10 x 1 | 14,0 | 8 | 34,0 | 9,5 | 17 | 17 |
| VM NW 06 HL ED VA | L | PN 315 | 8 | M 12 x 1.5 | 17,0 | 12 | 37,0 | 10,0 | 17 | 17 |
| VM NW 06 HL 14 ED VA | L | PN 315 | 8 | M 14 x 1.5 | 19,0 | 12 | 39,0 | 10,0 | 19 | 17 |
| VM NW 06 HL 16 ED VA | L | PN 315 | 8 | M 16 x 1.5 | 21,7 | 12 | 39,5 | 10,0 | 22 | 17 |
| VM NW 06 HL 18 ED VA | L | PN 315 | 8 | M 18 x 1.5 | 24,0 | 12 | 39,5 | 10,0 | 24 | 17 |
| VM NW 08 HL 10 ED VA | L | PN 315 | 10 | M 10 x 1 | 14,0 | 8 | 34,0 | 11,0 | 17 | 19 |
| VM NW 08 HL 12 ED VA | L | PN 315 | 10 | M 12 x 1.5 | 17,0 | 12 | 40,5 | 11,0 | 17 | 19 |
| VM NW 08 HL ED VA | L | PN 315 | 10 | M 14 x 1.5 | 19,0 | 12 | 38,0 | 11,0 | 19 | 19 |
| VM NW 08 HL 16 ED VA | L | PN 315 | 10 | M 16 x 1.5 | 21,7 | 12 | 38,0 | 12,5 | 22 | 19 |
| VM NW 08 HL 18 ED VA | L | PN 315 | 10 | M 18 x 1.5 | 23,7 | 12 | 42,0 | 12,5 | 24 | 19 |
| VM NW 08 HL 22 ED VA | L | PN 315 | 10 | M 22 x 1.5 | 27,0 | 14 | 44,0 | 12,5 | 27 | 19 |
| VM NW 10 HL 12 ED VA | L | PN 315 | 12 | M 12 x 1.5 | 17,0 | 12 | 40,0 | 13,0 | 19 | 22 |
| VM NW 10 HL 14 ED VA | L | PN 315 | 12 | M 14 x 1.5 | 19,0 | 12 | 40,0 | 11,0 | 19 | 22 |
| VM NW 10 HL ED VA | L | PN 315 | 12 | M 16 x 1.5 | 21,7 | 12 | 39,0 | 12,5 | 22 | 22 |
| VM NW 10 HL 18 ED VA | L | PN 315 | 12 | M 18 x 1.5 | 23,7 | 12 | 42,0 | 17,0 | 24 | 22 |
| VM NW 10 HL 22 ED VA | L | PN 315 | 12 | M 22 x 1.5 | 27,0 | 14 | 46,0 | 14,0 | 27 | 22 |
| VM NW 13 HL ED VA | L | PN 315 | 15 | M 18 x 1.5 | 23,7 | 12 | 41,0 | 13,5 | 24 | 27 |
| VM NW 13 HL 16 ED VA | L | PN 315 | 15 | M 16 x 1.5 | 22,0 | 12 | 44,0 | 13,0 | 24 | 27 |
| VM NW 13 HL 22 ED VA | L | PN 315 | 15 | M 22 x 1.5 | 27,0 | 14 | 47,0 | 14,5 | 27 | 27 |
| VM NW 16 HL 18 ED VA | L | PN 315 | 18 | M 18 x 1.5 | 24,0 | 12 | 45,0 | 14,0 | 27 | 32 |
| VM NW 16 HL ED VA | L | PN 315 | 18 | M 22 x 1.5 | 27,0 | 14 | 45,0 | 14,5 | 27 | 32 |
| VM NW 20 HL ED VA | L | PN 160 | 22 | M 26 x 1.5 | 31,7 | 16 | 49,0 | 16,5 | 32 | 36 |
| VM NW 25 HL ED VA | L | PN 160 | 28 | M 33 x 2 | 39,7 | 18 | 52,0 | 17,5 | 41 | 41 |
| VM NW 32 HL ED VA | L | PN 160 | 35 | M 42 x 2 | 49,7 | 20 | 59,0 | 17,5 | 50 | 50 |
| VM NW 40 HL ED VA | L | PN 160 | 42 | M 48 x 2 | 55,0 | 22 | 64,0 | 19,0 | 55 | 60 |
| VM NW 03 HS ED VA | S | PN 630 | 6 | M 12 x 1.5 | 17,0 | 12 | 40,0 | 13,0 | 17 | 17 |
| VM NW 03 HS 14 ED VA | S | PN 315 | 6 | M 14 x 1.5 | 19,0 | 12 | 40,0 | 10,0 | 19 | 14 |
| VM NW 04 HS ED VA | S | PN 630 | 8 | M 14 x 1.5 | 19,0 | 12 | 42,0 | 15,0 | 19 | 19 |
| VM NW 06 HS ED VA | S | PN 630 | 10 | M 16 x 1.5 | 21,7 | 12 | 43,0 | 15,0 | 22 | 22 |
| VM NW 08 HS 14 ED VA | S | PN 630 | 12 | M 14 x 1.5 | 19,0 | 12 | 45,0 | 16,5 | 22 | 24 |
| VM NW 08 HS ED VA | S | PN 630 | 12 | M 18 x 1.5 | 23,7 | 12 | 45,0 | 17,0 | 24 | 24 |
| VM NW 10 HS ED VA | S | PN 630 | 14 | M 20 x 1.5 | 25,7 | 14 | 53,0 | 19,0 | 27 | 27 |
| VM NW 13 HS 18 ED VA | S | PN 630 | 16 | M 18 x 1.5 | 24,0 | 12 | 48,5 | 18,0 | 27 | 30 |
| VM NW 13 HS ED VA | S | PN 400 | 16 | M 22 x 1.5 | 27,0 | 14 | 51,0 | 18,5 | 27 | 30 |
| VM NW 16 HS ED VA | S | PN 400 | 20 | M 27 x 2 | 32,0 | 16 | 53,0 | 20,5 | 32 | 36 |



货品

| 名称 | 结构系列 | 工作压力 巴 | Ø d2 (mm) | G1 | Ø d3 (mm) | i (mm) | L1 (mm) | L2 (mm) | SW (mm) | S1 |
|-------------------|------|--------|-----------|----------|-----------|--------|---------|---------|---------|----|
| VM NW 20 HS ED VA | S | PN 400 | 25 | M 33 x 2 | 39,7 | 18 | 65,0 | 23,0 | 41 | 46 |
| VM NW 25 HS ED VA | S | PN 400 | 30 | M 42 x 2 | 49,7 | 20 | 70,0 | 23,5 | 50 | 50 |
| VM NW 32 HS ED VA | S | PN 315 | 38 | M 48 x 2 | 55,0 | 22 | 79,0 | 26,0 | 55 | 60 |

结构系列: LL=非常轻 L=轻 S=重 - PN = 额定压力 PB = 最大工作压力 - Ø d2 = 管外直径

产品变体

VM ED

XVM ED VA

备件

WD V 用于ED螺栓连接的软密封