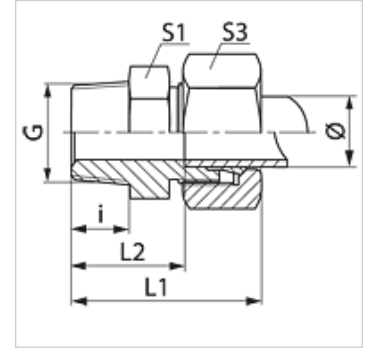


### 属性

|        |                        |
|--------|------------------------|
| 接口 1   | NPT外螺纹                 |
| 密封形式 1 | 螺纹密封式                  |
| 接口 2   | 米制外螺纹,圆柱形              |
| 密封形式 2 | 24°内锥                  |
| 结构类型   | 旋入式螺栓连接                |
| 结构形式   | 直道                     |
| 标准     | DIN 2353<br>ISO 8434-1 |
| 供货范围   | 带锁紧螺母和切割环的接套           |
| 原料     | 不锈钢                    |



### 提示

有关安装、装入、压力负荷和允许的工作温度的说明请您参阅管螺栓连接的技术信息。

### 货品

| 名称                   | 结构系列 | 工作压力 巴 | 管外径 Ø (mm) | G                | i (mm) | L1 (mm) | L2 (mm) | S1 | S3 |
|----------------------|------|--------|------------|------------------|--------|---------|---------|----|----|
| VN 04 LL VA          | LL   | PN 100 | 4          | 1/8" -27 NPT     | 10,0   | 28,0    | 18,0    | 11 | 10 |
| VN 06 LL VA          | LL   | PN 100 | 6          | 1/8" -27 NPT     | 10,0   | 28,0    | 16,5    | 11 | 12 |
| VN 08 LL VA          | LL   | PN 100 | 8          | 1/8" -27 NPT     | 10,0   | 30,0    | 18,5    | 12 | 14 |
| VN NW 04 HL VA       | L    | PN 315 | 6          | 1/8" -27 NPT     | 10,0   | 32,0    | 17,0    | 12 | 14 |
| VN NW 04 HL 1/4 VA   | L    | PN 315 | 6          | 1/4" -18 NPT     | 15,0   | 38,0    | 23,0    | 17 | 14 |
| VN NW 04 HL 3/8 VA   | L    | PN 315 | 6          | 3/8" -18 NPT     | 15,0   | 39,0    | 24,0    | 19 | 14 |
| VN NW 04 HL 1/2 VA   | L    | PN 315 | 6          | 1/2" -14 NPT     | 20,0   | 44,0    | 29,0    | 24 | 14 |
| VN NW 06 HL 1/8 VA   | L    | PN 315 | 8          | 1/8" -27 NPT     | 10,0   | 38,0    | 23,0    | 12 | 17 |
| VN NW 06 HL VA       | L    | PN 315 | 8          | 1/4" -18 NPT     | 15,0   | 38,0    | 23,0    | 17 | 17 |
| VN NW 06 HL 3/8 VA   | L    | PN 315 | 8          | 3/8" -18 NPT     | 15,5   | 39,0    | 24,0    | 19 | 17 |
| VN NW 06 HL 1/2 VA   | L    | PN 315 | 8          | 1/2" -14 NPT     | 20,0   | 44,0    | 29,0    | 24 | 17 |
| VN NW 08 HL 1/8 VA   | L    | PN 315 | 10         | 1/8" -27 NPT     | 15,5   | 39,5    | 25,0    | 19 | 19 |
| VN NW 08 HL VA       | L    | PN 315 | 10         | 1/4" -18 NPT     | 15,0   | 39,0    | 24,0    | 17 | 19 |
| VN NW 08 HL 3/8 VA   | L    | PN 315 | 10         | 3/8" -18 NPT     | 15,2   | 40,0    | 25,0    | 19 | 19 |
| VN NW 08 HL 1/2 VA   | L    | PN 315 | 10         | 1/2" -14 NPT     | 20,0   | 45,0    | 30,0    | 24 | 19 |
| VN NW 08 HL 3/4 VA   | L    | PN 315 | 10         | 3/4" -14 NPT     | 20,0   | 46,0    | 31,0    | 27 | 19 |
| VN NW 10 HL 1/8 VA   | L    | PN 315 | 12         | 1/8" -27 NPT     | 15,0   | 40,0    | 25,0    | 19 | 22 |
| VN NW 10 HL 1/4 VA   | L    | PN 315 | 12         | 1/4" -18 NPT     | 15,0   | 40,0    | 25,0    | 19 | 22 |
| VN NW 10 HL VA       | L    | PN 315 | 12         | 3/8" -18 NPT     | 15,5   | 40,0    | 25,0    | 19 | 22 |
| VN NW 10 HL 1/2 VA   | L    | PN 315 | 12         | 1/2" -14 NPT     | 20,0   | 45,0    | 30,0    | 24 | 22 |
| VN NW 10 HL 3/4 VA   | L    | PN 315 | 12         | 3/4" -14 NPT     | 20,0   | 45,0    | 32,0    | 32 | 22 |
| VN NW 13 HL 1/4 VA   | L    | PN 315 | 15         | 1/4" -18 NPT     | 15,0   | 40,0    | 25,0    | 19 | 22 |
| VN NW 13 HL 3/8 VA   | L    | PN 315 | 15         | 3/8" -18 NPT     | 15,5   | 41,5    | 26,5    | 24 | 27 |
| VN NW 13 HL VA       | L    | PN 315 | 15         | 1/2" -14 NPT     | 20,0   | 46,0    | 31,0    | 24 | 27 |
| VN NW 13 HL 3/4 VA   | L    | PN 315 | 15         | 3/4" -14 NPT     | 20,0   | 46,0    | 32,0    | 32 | 27 |
| VN NW 13 HL 1 VA     | L    | PN 315 | 15         | 1" -11.5 NPT     | 24,5   | 52,5    | 37,5    | 36 | 27 |
| VN NW 16 HL 3/8 VA   | L    | PN 315 | 18         | 3/8" -18 NPT     | 15,3   | 43,0    | 26,5    | 27 | 32 |
| VN NW 16 HL VA       | L    | PN 315 | 18         | 1/2" -14 NPT     | 20,0   | 48,0    | 31,5    | 27 | 32 |
| VN NW 16 HL 3/4 VA   | L    | PN 315 | 18         | 3/4" -14 NPT     | 20,0   | 48,5    | 32,0    | 32 | 32 |
| VN NW 16 HL 1 VA     | L    | PN 315 | 18         | 1" -11.5 NPT     | 25,0   | 54,0    | 37,5    | 36 | 32 |
| VN NW 20 HL 3/8 VA   | L    | PN 160 | 22         | 3/8" -18 NPT     | 15,3   | 45,0    | 28,5    | 32 | 36 |
| VN NW 20 HL 1/2 VA   | L    | PN 160 | 22         | 1/2" -14 NPT     | 20,0   | 50,0    | 33,5    | 32 | 36 |
| VN NW 20 HL VA       | L    | PN 160 | 22         | 3/4" -14 NPT     | 20,0   | 50,0    | 33,5    | 32 | 36 |
| VN NW 20 HL 1 VA     | L    | PN 160 | 22         | 1" -11.5 NPT     | 25,0   | 56,0    | 39,5    | 36 | 36 |
| VN NW 20 HL 1 1/4 VA | L    | PN 160 | 22         | 1.1/4" -11.5 NPT | 25,5   | 68,0    | 46,5    | 46 | 36 |
| VN NW 25 HL 1/2 VA   | L    | PN 160 | 28         | 1/2" -14 NPT     | 20,0   | 56,0    | 35,0    | 41 | 41 |
| VN NW 25 HL 3/4 VA   | L    | PN 160 | 28         | 3/4" -14 NPT     | 20,0   | 51,0    | 34,5    | 41 | 41 |
| VN NW 25 HL VA       | L    | PN 160 | 28         | 1" -11.5 NPT     | 25,0   | 56,0    | 39,5    | 41 | 41 |
| VN NW 25 HL 1 1/4 VA | L    | PN 160 | 28         | 1.1/4" -11.5 NPT | 25,5   | 48,0    | 41,5    | 46 | 41 |
| VN NW 32 HL 3/4 VA   | L    | PN 160 | 35         | 3/4" -14 NPT     | 20,0   | 56,5    | 35,0    | 46 | 50 |
| VN NW 32 HL 1 VA     | L    | PN 160 | 35         | 1" -11.5 NPT     | 25,0   | 62,0    | 40,5    | 41 | 50 |
| VN NW 32 HL VA       | L    | PN 160 | 35         | 1.1/4" -11.5 NPT | 25,5   | 62,0    | 40,5    | 46 | 50 |
| VN NW 32 HL 1 1/2 VA | L    | PN 160 | 35         | 1.1/2" -11.5 NPT | 26,0   | 69,0    | 42,5    | 55 | 50 |
| VN NW 40 HL 1 VA     | L    | PN 160 | 42         | 1" -11.5 NPT     | 25,0   | 64,0    | 41,0    | 55 | 60 |



## 货品

| 名称                   | 结构系列 | 工作压力 巴 | 管外径 Ø (mm) | G                | i (mm) | L1 (mm) | L2 (mm) | S1 | S3 |
|----------------------|------|--------|------------|------------------|--------|---------|---------|----|----|
| VN NW 40 HL 1 1/4 VA | L    | PN 160 | 42         | 1.1/4" -11.5 NPT | 25,5   | 65,0    | 42,0    | 55 | 60 |
| VN NW 40 HL VA       | L    | PN 160 | 42         | 1.1/2" -11.5 NPT | 26,0   | 65,0    | 42,0    | 55 | 60 |
| VN NW 03 HS 1/8 VA   | S    | PN 630 | 6          | 1/8" -27 NPT     | 10,0   | 36,0    | 21,0    | 14 | 17 |
| VN NW 03 HS VA       | S    | PN 630 | 6          | 1/4" -18 NPT     | 15,0   | 43,0    | 28,0    | 17 | 17 |
| VN NW 03 HS 3/8 VA   | S    | PN 630 | 6          | 3/8" -18 NPT     | 15,3   | 41,0    | 26,0    | 19 | 17 |
| VN NW 03 HS 1/2 VA   | S    | PN 630 | 6          | 1/2" -14 NPT     | 20,0   | 50,0    | 35,0    | 24 | 17 |
| VN NW 04 HS 1/8 VA   | S    | PN 630 | 8          | 1/8" -27 NPT     | 10,0   | 38,0    | 23,0    | 17 | 19 |
| VN NW 04 HS VA       | S    | PN 630 | 8          | 1/4" -18 NPT     | 15,0   | 43,0    | 28,0    | 17 | 19 |
| VN NW 04 HS 3/8 VA   | S    | PN 630 | 8          | 3/8" -18 NPT     | 15,5   | 43,0    | 28,0    | 19 | 19 |
| VN NW 04 HS 1/2 VA   | S    | PN 630 | 8          | 1/2" -14 NPT     | 20,0   | 50,0    | 35,0    | 22 | 19 |
| VN NW 06 HS 1/8 VA   | S    | PN 630 | 10         | 1/8" -27 NPT     | 10,0   | 39,0    | 22,5    | 19 | 22 |
| VN NW 06 HS 1/4 VA   | S    | PN 630 | 10         | 1/4" -18 NPT     | 15,0   | 44,0    | 27,5    | 19 | 22 |
| VN NW 06 HS VA       | S    | PN 630 | 10         | 3/8" -18 NPT     | 15,5   | 44,0    | 27,5    | 19 | 22 |
| VN NW 06 HS 1/2 VA   | S    | PN 400 | 10         | 1/2" -14 NPT     | 20,0   | 51,0    | 34,5    | 24 | 22 |
| VN NW 06 HS 3/4 VA   | S    | PN 630 | 10         | 3/4" -14 NPT     | 20,0   | 53,0    | 36,5    | 27 | 22 |
| VN NW 08 HS 1/4 VA   | S    | PN 630 | 12         | 1/4" -18 NPT     | 15,1   | 46,0    | 29,5    | 22 | 24 |
| VN NW 08 HS VA       | S    | PN 630 | 12         | 3/8" -18 NPT     | 15,5   | 46,0    | 29,5    | 22 | 24 |
| VN NW 08 HS 1/2 VA   | S    | PN 630 | 12         | 1/2" -14 NPT     | 20,0   | 51,0    | 34,5    | 24 | 24 |
| VN NW 08 HS 3/4 VA   | S    | PN 630 | 12         | 3/4" -14 NPT     | 20,0   | 53,0    | 36,5    | 27 | 24 |
| VN NW 10 HS 3/8 VA   | S    | PN 630 | 14         | 3/8" -18 NPT     | 15,5   | 54,0    | 36,0    | 19 | 27 |
| VN NW 10 HS VA       | S    | PN 630 | 14         | 1/2" -14 NPT     | 20,0   | 54,0    | 36,0    | 24 | 27 |
| VN NW 10 HS 3/4 VA   | S    | PN 630 | 14         | 3/4" -14 NPT     | 20,0   | 56,0    | 38,0    | 27 | 27 |
| VN NW 10 HS 1 VA     | S    | PN 630 | 14         | 1" -11.5 NPT     | 24,5   | 61,0    | 43,0    | 36 | 27 |
| VN NW 13 HS 3/8 VA   | S    | PN 400 | 16         | 3/8" -18 NPT     | 15,3   | 49,0    | 30,5    | 27 | 30 |
| VN NW 13 HS VA       | S    | PN 400 | 16         | 1/2" -14 NPT     | 20,0   | 54,0    | 35,5    | 27 | 30 |
| VN NW 13 HS 3/4 VA   | S    | PN 400 | 16         | 3/4" -14 NPT     | 20,0   | 56,0    | 37,5    | 30 | 30 |
| VN NW 13 HS 1 VA     | S    | PN 400 | 16         | 1" -11.5 NPT     | 25,0   | 63,0    | 44,5    | 36 | 30 |
| VN NW 16 HS 3/8 VA   | S    | PN 400 | 20         | 3/8" -18 NPT     | 15,3   | 54,5    | 33,0    | 32 | 36 |
| VN NW 16 HS 1/2 VA   | S    | PN 400 | 20         | 1/2" -14 NPT     | 20,0   | 59,0    | 37,5    | 32 | 30 |
| VN NW 16 HS VA       | S    | PN 400 | 20         | 3/4" -14 NPT     | 20,0   | 59,0    | 37,5    | 32 | 36 |
| VN NW 16 HS 1 VA     | S    | PN 400 | 20         | 1" -11.5 NPT     | 25,0   | 66,0    | 44,5    | 36 | 36 |
| VN NW 16 HS 1 1/4 VA | S    | PN 400 | 20         | 1.1/4" -11.5 NPT | 25,5   | 67,0    | 45,5    | 46 | 36 |
| VN NW 20 HS 1/2 VA   | S    | PN 400 | 25         | 1/2" -14 NPT     | 20,0   | 64,0    | 40,0    | 41 | 46 |
| VN NW 20 HS 3/4 VA   | S    | PN 400 | 25         | 3/4" -14 NPT     | 20,0   | 64,0    | 40,0    | 41 | 46 |
| VN NW 20 HS VA       | S    | PN 400 | 25         | 1" -11.5 NPT     | 25,0   | 69,0    | 45,0    | 41 | 46 |
| VN NW 20 HS 1 1/4 VA | S    | PN 400 | 25         | 1.1/4" -11.5 NPT | 25,5   | 69,0    | 45,5    | 46 | 46 |
| VN NW 20 HS 1 1/2 VA | S    | PN 400 | 25         | 1.1/2" -11.5 NPT | 26,0   | 73,0    | 49,0    | 50 | 46 |
| VN NW 25 HS 3/4 VA   | S    | PN 400 | 30         | 3/4" -14 NPT     | 20,0   | 67,0    | 40,5    | 46 | 50 |
| VN NW 25 HS 1 VA     | S    | PN 400 | 30         | 1" -11.5 NPT     | 25,0   | 66,5    | 40,0    | 46 | 50 |
| VN NW 25 HS VA       | S    | PN 400 | 30         | 1.1/4" -11.5 NPT | 25,5   | 73,0    | 46,5    | 46 | 50 |
| VN NW 25 HS 1 1/2 VA | S    | PN 400 | 30         | 1.1/2" -11.5 NPT | 26,0   | 73,0    | 46,5    | 55 | 50 |
| VN NW 32 HS 1 VA     | S    | PN 315 | 38         | 1" -11.5 NPT     | 25,0   | 79,0    | 48,0    | 55 | 60 |
| VN NW 32 HS 1 1/4 VA | S    | PN 315 | 38         | 1.1/4" -11.5 NPT | 25,5   | 80,0    | 49,0    | 55 | 60 |
| VN NW 32 HS VA       | S    | PN 315 | 38         | 1.1/2" -11.5 NPT | 26,0   | 80,0    | 49,0    | 55 | 60 |

结构系列:LL=非常轻 L=轻 S=重 - PN = 额定压力 PB = 最大工作压力 - Ø = 管外径

## 产品变体

|        |              |
|--------|--------------|
| VN     | 旋入式螺栓连接, 钢   |
| VN MG  | 旋入式螺栓连接, 黄铜  |
| XVN VA | 旋入式螺栓连接, 不锈钢 |