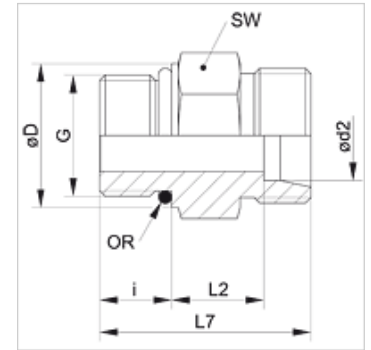


属性

| | |
|--------|----------------|
| 接口 1 | 米制外螺纹,圆柱形 |
| 密封形式 1 | F型 |
| 接口 2 | 米制外螺纹,圆柱形 |
| 密封形式 2 | 24°内锥 |
| 结构类型 | 旋入式螺栓连接 |
| 结构形式 | 直道 |
| 标准 | ISO 8434-1 |
| 供货范围 | 接管(不带锁紧螺母和切割环) |
| 原料 | 钢 |
| 表面保护 | 电镀涂层 |



提示

有关安装、装入、压力负荷和允许的工作温度的说明请您参阅管螺栓连接的技术信息。

货品

| 名称 | 结构系列 | 工作压力 巴 | Ø d2 (mm) | G | Ø D (mm) | i (mm) | L2 (mm) | L7 (mm) | SW (mm) | OR |
|------------------|------|--------|-----------|------------|----------|--------|---------|---------|---------|------------|
| XVMO 04 LL | LL | PN 100 | 4 | M 8 x 1 | 10,8 | 6,5 | 9,5 | 20,0 | 11 | 6.1 x 1.6 |
| XVMO 04 LL 10 | LL | PN 100 | 4 | M 10 x 1 | 12,8 | 6,5 | 9,5 | 20,0 | 13 | 8.0 x 1.5 |
| XVMO 06 LL | LL | PN 100 | 6 | M 10 x 1 | 12,8 | 6,5 | 8,0 | 20,0 | 13 | 8.0 x 1.5 |
| XVMO NW 04 HL | L | PN 250 | 6 | M 10 x 1 | 14,0 | 8,5 | 8,5 | 24,0 | 14 | 8.0 x 1.5 |
| XVMO NW 06 HL | L | PN 250 | 8 | M 12 x 1.5 | 17,0 | 11,0 | 10,0 | 28,0 | 17 | 9.3 x 2.4 |
| XVMO NW 08 HL | L | PN 250 | 10 | M 14 x 1.5 | 19,0 | 11,0 | 11,0 | 29,0 | 19 | 11.3 x 2.4 |
| XVMO NW 10 HL | L | PN 250 | 12 | M 16 x 1.5 | 22,0 | 11,5 | 12,5 | 31,0 | 22 | 13.3 x 2.4 |
| XVMO NW 10 HL 18 | L | PN 315 | 12 | M 18 x 1.5 | 24,0 | 12,0 | 12,5 | 31,5 | 24 | 15.3 x 2.4 |
| XVMO NW 13 HL | L | PN 250 | 15 | M 18 x 1.5 | 24,0 | 12,5 | 13,5 | 33,0 | 24 | 15.3 x 2.4 |
| XVMO NW 13 HL 22 | L | PN 315 | 15 | M 22 x 1.5 | 27,0 | 13,0 | 15,0 | 35,0 | 27 | 19.3 x 2.4 |
| XVMO NW 16 HL | L | PN 160 | 18 | M 22 x 1.5 | 27,0 | 13,0 | 14,5 | 35,0 | 27 | 19.3 x 2.4 |
| XVMO NW 20 HL | L | PN 160 | 22 | M 26 x 1.5 | 31,0 | 16,0 | 17,5 | 41,0 | 41 | 23.3 x 2.4 |
| XVMO NW 20 HL 27 | L | PN 160 | 22 | M 27 x 2 | 32,0 | 16,0 | 16,5 | 40,0 | 32 | 23.6 x 2.9 |
| XVMO NW 25 HL | L | PN 100 | 28 | M 33 x 2 | 41,0 | 16,0 | 17,5 | 41,0 | 41 | 29.5 x 3.0 |
| XVMO NW 32 HL | L | PN 100 | 35 | M 42 x 2 | 50,0 | 16,0 | 17,5 | 44,0 | 50 | 38.0 x 3.0 |
| XVMO NW 40 HL | L | PN 160 | 42 | M 48 x 2 | 55,0 | 17,5 | 19,0 | 47,5 | 55 | 44.6 x 3.0 |
| XVMO NW 03 HS | S | PN 630 | 6 | M 12 x 1.5 | 17,0 | 11,0 | 13,0 | 31,0 | 17 | 9.3 x 2.4 |
| XVMO NW 04 HS | S | PN 630 | 8 | M 14 x 1.5 | 19,0 | 11,0 | 15,0 | 33,0 | 19 | 11.3 x 2.4 |
| XVMO NW 06 HS | S | PN 630 | 10 | M 16 x 1.5 | 22,0 | 12,5 | 15,0 | 35,0 | 22 | 13.3 x 2.4 |
| XVMO NW 08 HS | S | PN 630 | 12 | M 18 x 1.5 | 24,0 | 14,0 | 17,0 | 38,5 | 24 | 15.3 x 2.4 |
| XVMO NW 13 HS | S | PN 400 | 16 | M 22 x 1.5 | 27,0 | 15,0 | 18,5 | 42,0 | 27 | 19.3 x 2.4 |
| XVMO NW 16 HS | S | PN 400 | 20 | M 27 x 2 | 32,0 | 18,5 | 20,5 | 19,5 | 32 | 23.5 x 3.0 |
| XVMO NW 20 HS | S | PN 400 | 25 | M 33 x 2 | 41,0 | 18,5 | 23,0 | 53,5 | 41 | 29.5 x 3.0 |
| XVMO NW 25 HS | S | PN 250 | 30 | M 42 x 2 | 50,0 | 19,0 | 23,5 | 56,0 | 50 | 38.0 x 3.0 |
| XVMO NW 32 HS | S | PN 315 | 38 | M 48 x 2 | 55,0 | 21,5 | 26,0 | 63,5 | 55 | 46.7 x 2.8 |

结构系列:LL=非常轻 L=轻 S=重 - PN = 额定压力 PB = 最大工作压力 - Ø d2 = 管外径

产品变体

VMO 旋入式螺栓连接, 钢