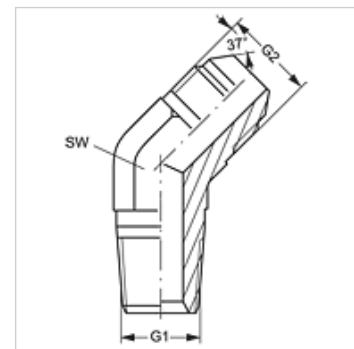


# W45 HN HJ

## 旋入式接套,角度45°

### 属性

|        |           |
|--------|-----------|
| 接口 1   | NPT外螺纹    |
| 密封形式 1 | 螺纹密封式     |
| 接口 2   | UN/UNF外螺纹 |
| 密封形式 2 | 74°外锥     |
| 结构类型   | 旋入式接套     |
| 结构形式   | 角度45°     |
| 原料     | 钢         |
| 表面保护   | 电镀涂层      |



### 货品

| 名称              | G1               | G2             | SW<br>(mm) |
|-----------------|------------------|----------------|------------|
| W45 HN 02 HJ 04 | 1/8" -27 NPT     | 7/16" -20 UNF  | 11         |
| W45 HN 02 HJ 05 | 1/8" -27 NPT     | 1/2" -20 UNF   | 13         |
| W45 HN 02 HJ 06 | 1/8" -27 NPT     | 9/16" -18 UNF  | 14         |
| W45 HN 04 HJ    | 1/4" -18 NPT     | 7/16" -20 UNF  | 14         |
| W45 HN 04 HJ 05 | 1/4" -18 NPT     | 1/2" -20 UNF   | 14         |
| W45 HN 04 HJ 06 | 1/4" -18 NPT     | 9/16" -18 UNF  | 14         |
| W45 HN 04 HJ 08 | 1/4" -18 NPT     | 3/4" -16 UNF   | 19         |
| W45 HN 06 HJ    | 3/8" -18 NPT     | 9/16" -18 UNF  | 19         |
| W45 HN 06 HJ 08 | 3/8" -18 NPT     | 3/4" -16 UNF   | 19         |
| W45 HN 06 HJ 10 | 3/8" -18 NPT     | 7/8" -14 UNF   | 22         |
| W45 HN 08 HJ    | 1/2" -14 NPT     | 3/4" -16 UNF   | 22         |
| W45 HN 08 HJ 06 | 1/2" -14 NPT     | 9/16" -18 UNF  | 22         |
| W45 HN 08 HJ 10 | 1/2" -14 NPT     | 7/8" -14 UNF   | 22         |
| W45 HN 08 HJ 12 | 1/2" -14 NPT     | 1.1/16" -12 UN | 27         |
| W45 HN 12 HJ    | 3/4" -14 NPT     | 1.1/16" -12 UN | 27         |
| W45 HN 12 HJ 08 | 3/4" -14 NPT     | 3/4" -16 UNF   | 27         |
| W45 HN 12 HJ 10 | 3/4" -14 NPT     | 7/8" -14 UNF   | 27         |
| W45 HN 12 HJ 14 | 3/4" -14 NPT     | 1.3/16" -12 UN | 33         |
| W45 HN 12 HJ 16 | 3/4" -14 NPT     | 1.5/16" -12 UN | 33         |
| W45 HN 16 HJ    | 1" -11.5 NPT     | 1.5/16" -12 UN | 33         |
| W45 HN 16 HJ 12 | 1" -11.5 NPT     | 1.1/16" -12 UN | 33         |
| W45 HN 16 HJ 20 | 1" -11.5 NPT     | 1.5/8" -12 UN  | 41         |
| W45 HN 20 HJ    | 1.1/4" -11.5 NPT | 1.5/8" -12 UN  | 41         |
| W45 HN 24 HJ    | 1.1/2" -11.5 NPT | 1.7/8" -12 UN  | 48         |
| W45 HN 32 HJ    | 2" -11.5 NPT     | 2.1/2" -12 UN  | 55         |

SW = 对边宽度

### 产品变体

|              |                  |
|--------------|------------------|
| W45 HN HJ VA | 旋入式接套,角度45°, 不锈钢 |
|--------------|------------------|