

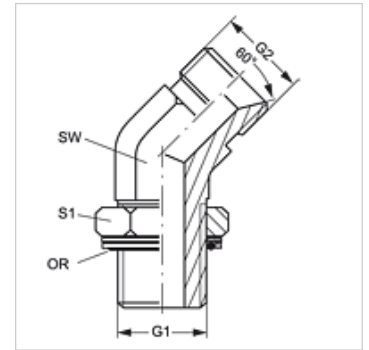
# W45 HROK HB

旋入式接套,角度45°

**HANSA FLEX**

## 属性

|        |               |
|--------|---------------|
| 接口 1   | BSP外螺纹,圆柱形    |
| 密封形式 1 | 螺纹接套带O形圈 + 腔环 |
| 接口 2   | BSP外螺纹,圆柱形    |
| 密封形式 2 | 60°内锥         |
| 结构类型   | 方向可调节的旋入式接套   |
| 结构形式   | 角度45°         |
| 原料     | 钢             |
| 表面保护   | 电镀涂层          |



## 货品

| 名称                | G1           | G2           | SW<br>(mm) | S1 | OR           |
|-------------------|--------------|--------------|------------|----|--------------|
| W45 HROK 02 HB    | G 1/8" -28   | G 1/8" -28   | 11         | 16 | 7.65 x 1.78  |
| W45 HROK 04 HB    | G 1/4" -19   | G 1/4" -19   | 14         | 20 | 10.78 x 2.62 |
| W45 HROK 04 HB 02 | G 1/4" -19   | G 1/8" -28   | 14         | 20 | 10.78 x 2.62 |
| W45 HROK 04 HB 06 | G 1/4" -19   | G 3/8" -19   | 14         | 16 | 10.78 x 2.62 |
| W45 HROK 06 HB    | G 3/8" -19   | G 3/8" -19   | 22         | 24 | 13.94 x 2.62 |
| W45 HROK 06 HB 04 | G 3/8" -19   | G 1/4" -19   | 14         | 24 | 13.94 x 2.62 |
| W45 HROK 06 HB 08 | G 3/8" -19   | G 1/2" -14   | 22         | 24 | 13.94 x 2.62 |
| W45 HROK 08 HB    | G 1/2" -14   | G 1/2" -14   | 22         | 28 | 17.86 x 2.62 |
| W45 HROK 08 HB 06 | G 1/2" -14   | G 3/8" -19   | 22         | 28 | 17.86 x 2.62 |
| W45 HROK 08 HB 10 | G 1/2" -14   | G 5/8" -14   | 22         | 28 | 17.86 x 2.62 |
| W45 HROK 08 HB 12 | G 1/2" -14   | G 3/4" -14   | 27         | 28 | 17.86 x 2.62 |
| W45 HROK 12 HB    | G 3/4" -14   | G 3/4" -14   | 27         | 35 | 23.47 x 2.62 |
| W45 HROK 12 HB 06 | G 3/4" -14   | G 3/8" -19   | 27         | 35 | 23.47 x 2.62 |
| W45 HROK 12 HB 16 | G 3/4" -14   | G 1" -11     | 33         | 35 | 23.47 x 2.62 |
| W45 HROK 16 HB    | G 1" -11     | G 1" -11     | 33         | 43 | 29.74 x 3.53 |
| W45 HROK 16 HB 12 | G 1" -11     | G 3/4" -14   | 33         | 43 | 29.74 x 3.53 |
| W45 HROK 20 HB    | G 1.1/4" -11 | G 1.1/4" -11 | 41         | 52 | 37.69 x 3.53 |
| W45 HROK 20 HB 16 | G 1.1/4" -11 | G 1" -11     | 41         | 52 | 37.69 x 3.53 |
| W45 HROK 24 HB    | G 1.1/2" -11 | G 1.1/2" -11 | 48         | 58 | 44.04 x 3.53 |

SW, S1, S2 = 对应边宽度

## 备件

KAMMRING G 腔环,英寸制