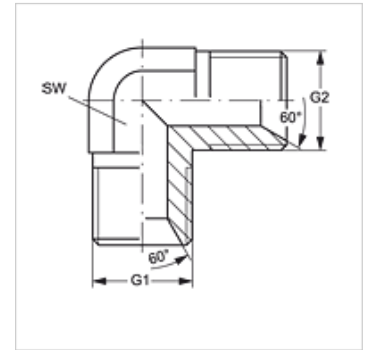


W90 HB

连接器,角度90°

属性

接口 1	BSP外螺纹,圆柱形
密封形式 1	60°内锥
接口 2	BSP外螺纹,圆柱形
密封形式 2	60°内锥
结构类型	连接器
结构形式	角度90°
原料	钢
表面保护	电镀涂层



货品

名称	G1	G2	SW (mm)
W90 HB 02	G 1/8" -28	G 1/8" -28	11
W90 HB 04 HB 02	G 1/4" -19	G 1/8" -28	14
W90 HB 04	G 1/4" -19	G 1/4" -19	14
W90 HB 06 HB 04	G 3/8" -19	G 1/4" -19	19
W90 HB 06	G 3/8" -19	G 3/8" -19	19
W90 HB 08 HB 06	G 1/2" -14	G 3/8" -19	22
W90 HB 08	G 1/2" -14	G 1/2" -14	22
W90 HB 10	G 5/8" -14	G 5/8" -14	22
W90 HB 12 HB 08	G 3/4" -14	G 1/2" -14	27
W90 HB 12	G 3/4" -14	G 3/4" -14	27
W90 HB 16 HB 12	G 1" -11	G 3/4" -14	33
W90 HB 16	G 1" -11	G 1" -11	33
W90 HB 20 HB 16	G 1.1/4" -11	G 1" -11	41
W90 HB 20	G 1.1/4" -11	G 1.1/4" -11	41
W90 HB 24	G 1.1/2" -11	G 1.1/2" -11	50
W90 HB 32	G 2" -11	G 2" -11	55

SW = 对应边宽度

产品变体

W90 HB VA 螺栓连接接套,角度90°, 不锈钢