

# W90 HRK HB

旋入式接套,角度90°

**HANSA FLEX**

## 属性

接口 1 BSPT外螺纹,圆锥形

密封形式 1 螺纹密封式

接口 2 BSP外螺纹,圆柱形

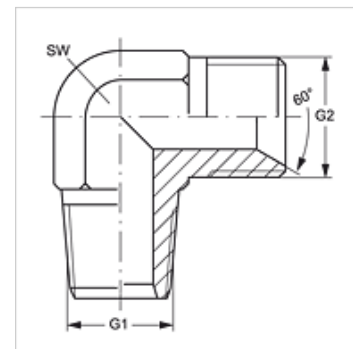
密封形式 2 60°内锥

结构类型 旋入式接套

结构形式 角度90°

原料 钢

表面保护 电镀涂层



## 货品

名称	G1	G2	SW (mm)
W90 HRK 02 HB	R 1/8" K	G 1/8" -28	11
W90 HRK 02 HB 04	R 1/8" K	G 1/4" -19	11
W90 HRK 04 HB 02	R 1/4" K	G 1/8" -28	14
W90 HRK 04 HB	R 1/4" K	G 1/4" -19	14
W90 HRK 04 HB 06	R 1/4" K	G 3/8" -19	14
W90 HRK 06 HB 04	R 3/8" K	G 1/4" -19	14
W90 HRK 06 HB	R 3/8" K	G 3/8" -19	17
W90 HRK 06 HB 08	R 3/8" K	G 1/2" -14	19
W90 HRK 08 HB 06	R 1/2" K	G 3/8" -19	19
W90 HRK 08 HB	R 1/2" K	G 1/2" -14	19
W90 HRK 08 HB 12	R 1/2" K	G 3/4" -14	27
W90 HRK 12 HB 08	R 3/4" K	G 1/2" -14	27
W90 HRK 12 HB	R 3/4" K	G 3/4" -14	27
W90 HRK 12 HB 16	R 3/4" K	G 1" -11	33
W90 HRK 16 HB 12	R 1" K	G 3/4" -14	33
W90 HRK 16 HB	R 1" K	G 1" -11	36
W90 HRK 20 HB	R 1.1/4" K	G 1.1/4" -11	41
W90 HRK 24 HB	R 1.1/2" K	G 1.1/2" -11	48
W90 HRK 32 HB	R 2" K	G 2" -11	64

SW = 对应边宽度