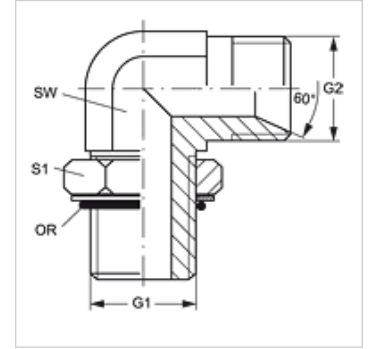


# W90 O HB

旋入式接套,AGR 角度90°

## 属性

接口 1	UN/UNF外螺纹
密封形式 1	旋入式接套上O形圈密封
接口 2	BSP外螺纹,圆柱形
密封形式 2	60°内锥
结构类型	旋入式接套
结构形式	角度90°
原料	钢
表面保护	电镀涂层



## 货品

名称	G1	G2	SW (mm)	S1	OR
W90 O 04 HB 02	7/16" -20 UNF	G 1/8" -28	11	17	8.92 x 1.83
W90 O 04 HB	7/16" -20 UNF	G 1/4" -19	11	17	8.92 x 1.83
W90 O 04 HB 06	7/16" -20 UNF	G 3/8" -19	14	17	8.92 x 1.83
W90 O 05 HB 02	1/2" -20 UNF	G 1/8" -28	14	19	10.52 x 1.83
W90 O 05 HB 04	1/2" -20 UNF	G 1/4" -19	14	19	10.52 x 1.83
W90 O 06 HB 04	9/16" -18 UNF	G 1/4" -19	14	21	11.90 x 1.98
W90 O 06 HB	9/16" -18 UNF	G 3/8" -19	14	21	11.90 x 1.98
W90 O 08 HB 04	3/4" -16 UNF	G 1/4" -19	19	25	16.36 x 2.20
W90 O 08 HB 06	3/4" -16 UNF	G 3/8" -19	19	25	16.36 x 2.20
W90 O 08 HB	3/4" -16 UNF	G 1/2" -14	19	25	16.36 x 2.20
W90 O 08 HB 12	3/4" -16 UNF	G 3/4" -14	22	25	16.36 x 2.20
W90 O 10 HB 06	7/8" -14 UNF(细牙系列)	G 3/8" -19	22	30	19.18 x 2.46
W90 O 10 HB 08	7/8" -14 UNF(细牙系列)	G 1/2" -14	22	30	19.18 x 2.46
W90 O 10 HB	7/8" -14 UNF(细牙系列)	G 5/8" -14	22	30	19.18 x 2.46
W90 O 10 HB 12	7/8" -14 UNF(细牙系列)	G 3/4" -14	22	30	19.18 x 2.46
W90 O 12 HB 08	1.1/16" -12 UN	G 1/2" -14	27	36	23.47 x 2.95
W90 O 12 HB	1.1/16" -12 UN	G 3/4" -14	27	36	23.47 x 2.95
W90 O 12 HB 16	1.1/16" -12 UN	G 1" -11	33	36	23.47 x 2.95
W90 O 16 HB 12	1.5/16" -12 UN	G 3/4" -14	33	45	29.74 x 2.95
W90 O 16 HB	1.5/16" -12 UN	G 1" -11	33	45	29.74 x 2.95
W90 O 16 HB 20	1.5/16" -12 UN	G 1.1/4" -11	41	45	29.74 x 2.95
W90 O 20 HB 16	1.5/8" -12 UN	G 1" -11	41	55	37.47 x 3.00
W90 O 20 HB	1.5/8" -12 UN	G 1.1/4" -11	41	55	37.47 x 3.00

SW, S1, S2 = 对应边宽度