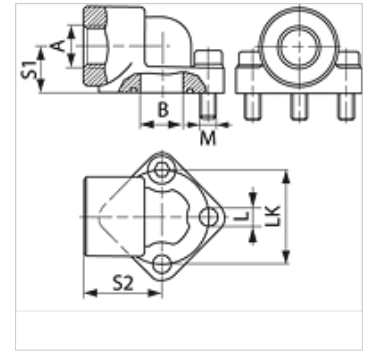


属性

| | |
|------|-------------|
| 结构类型 | 泵接口(3孔) |
| 结构形式 | 角度90° |
| 固定 | 带米制螺钉组件 |
| 供货范围 | 带米制螺钉组件和O形圈 |
| 原料 | 钢 ST 42.3 |
| 表面保护 | 电镀涂层 |



货品

| 名称 | 压力 PB (bar) | LK (mm) | A | B (mm) | S1 (mm) | S2 (mm) | L (mm) | 螺钉 | OR |
|-------------|----------------|------------|------------|-----------|------------|------------|-----------|-----------------|--------------|
| WDS 0.5 12 | 315 | 26 | G 1/2" -14 | 11,0 | 17 | 24 | 5,3 | (3 x) M 5 x 20 | 14.00 x 1.78 |
| WDS 0.5 38 | 315 | 26 | G 3/8" -19 | 11,0 | 17 | 24 | 5,3 | (3 x) M 5 x 20 | 14.00 x 1.78 |
| WDS 1 12 | 315 | 30 | G 1/2" -14 | 12,0 | 17 | 24 | 6,3 | (3 x) M 6 x 20 | 15.88 x 2.62 |
| WDS 1 38 | 315 | 30 | G 3/8" -19 | 12,0 | 17 | 24 | 6,3 | (3 x) M 6 x 20 | 15.88 x 2.62 |
| WDS 2 12 | 315 | 40 | G 1/2" -14 | 19,0 | 21 | 36 | 8,5 | (3 x) M 8 x 25 | 23.81 x 2.62 |
| WDS 2 34 | 315 | 40 | G 3/4" -14 | 19,0 | 21 | 36 | 8,5 | (3 x) M 8 x 25 | 23.81 x 2.62 |
| WDS 3 100 | 315 | 51 | G 1" -11 | 24,0 | 26 | 45 | 10,5 | (3 x) M 10 x 30 | 31.42 x 2.62 |
| WDS 3 34 | 315 | 51 | G 3/4" -14 | 26,0 | 26 | 45 | 10,5 | (3 x) M 10 x 30 | 31.42 x 2.62 |
| WDS 3 B 100 | 315 | 56 | G 1" -11 | 26,0 | 26 | 45 | 10,5 | (3 x) M 10 x 30 | 31.42 x 2.62 |
| WDS 3 B 34 | 315 | 56 | G 3/4" -14 | 26,0 | 26 | 45 | 10,5 | (3 x) M 10 x 30 | 31.42 x 2.62 |

PN = 额定压力 PB = 最大工作压力