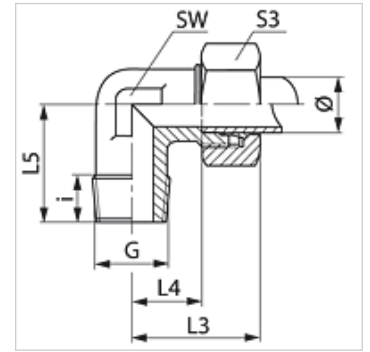


| | |
|-----------|------------------------|
| 属性 | |
| 接口 1 | BSPT外螺纹,圆锥形 |
| 密封形式 1 | 螺纹密封式 |
| 接口 2 | 米制外螺纹,圆柱形 |
| 密封形式 2 | 24°内锥 |
| 结构类型 | 旋入式螺栓连接 |
| 结构形式 | 角度90° |
| 标准 | DIN 2353 ISO 8434-1 |
| 供货范围 | 带锁紧螺母和切割环的接套 |
| 原料 | 钢 |
| 表面保护 | 电镀涂层 |



提示

有关安装、装入、压力负荷和允许的工作温度的说明请您参阅管螺栓连接的技术信息。

货品

| 名称 | 结构系列 | 工作压力 巴 | 管外径 Ø (mm) | G | i (mm) | L3 (mm) | L4 (mm) | L5 (mm) | SW (mm) | S3 |
|------------------|------|--------|------------|----------|--------|---------|---------|---------|---------|----|
| WR 04 LL | LL | PN 100 | 4 | R 1/8" K | 8 | 21 | 11,0 | 18 | 11 | 10 |
| WR 05 LL | LL | PN 100 | 5 | R 1/8" K | 8 | 22 | 10,0 | 17 | 11 | 12 |
| WR 06 LL | LL | PN 100 | 6 | R 1/8" K | 8 | 22 | 10,0 | 17 | 11 | 12 |
| WR 08 LL | LL | PN 100 | 8 | R 1/8" K | 8 | 23 | 11,5 | 20 | 12 | 14 |
| WR 10 LL | LL | PN 100 | 10 | R 1/4" K | 12 | 27 | 15,5 | 26 | 14 | 17 |
| WR 12 LL | LL | PN 100 | 12 | R 1/4" K | 12 | 27 | 15,0 | 27 | 17 | 19 |
| WR NW 04 HL | L | PN 315 | 6 | R 1/8" K | 8 | 27 | 12,0 | 20 | 12 | 14 |
| WR NW 04 HL 1/4 | L | PN 315 | 6 | R 1/4" K | 12 | 29 | 14,0 | 26 | 12 | 14 |
| WR NW 04 HL 3/8 | L | PN 315 | 6 | R 3/8" K | 12 | 29 | 14,0 | 26 | 12 | 14 |
| WR NW 06 HL 1/8 | L | PN 315 | 8 | R 1/8" K | 8 | 29 | 14,0 | 26 | 12 | 17 |
| WR NW 06 HL | L | PN 315 | 8 | R 1/4" K | 12 | 29 | 14,0 | 26 | 12 | 17 |
| WR NW 06 HL 3/8 | L | PN 315 | 8 | R 3/8" K | 12 | 34 | 19,0 | 28 | 17 | 17 |
| WR NW 06 HL 1/2 | L | PN 315 | 8 | R 1/2" K | 13 | 34 | 19,0 | 30 | 17 | 17 |
| WR NW 08 HL 1/8 | L | PN 315 | 10 | R 1/8" K | 8 | 30 | 15,0 | 26 | 14 | 19 |
| WR NW 08 HL | L | PN 315 | 10 | R 1/4" K | 12 | 30 | 15,0 | 27 | 14 | 19 |
| WR NW 08 HL 3/8 | L | PN 315 | 10 | R 3/8" K | 12 | 32 | 17,0 | 28 | 17 | 19 |
| WR NW 08 HL 1/2 | L | PN 316 | 10 | R 1/2" K | 14 | 38 | 23,0 | 34 | 19 | 19 |
| WR NW 10 HL 1/4 | L | PN 315 | 12 | R 1/4" K | 12 | 32 | 17,0 | 28 | 17 | 22 |
| WR NW 10 HL | L | PN 315 | 12 | R 3/8" K | 12 | 32 | 17,0 | 28 | 17 | 22 |
| WR NW 10 HL 1/2 | L | PN 315 | 12 | R 1/2" K | 14 | 38 | 23,0 | 34 | 19 | 22 |
| WRK NW 10 HL 3/4 | L | PN 315 | 12 | R 3/4" K | 14 | 36 | 21,0 | 34 | 19 | 22 |
| WR NW 13 HL 1/4 | L | PN 315 | 15 | R 1/4" K | 12 | 36 | 21,0 | 30 | 19 | 27 |
| WR NW 13 HL 3/8 | L | PN 315 | 15 | R 3/8" K | 12 | 36 | 21,0 | 34 | 19 | 27 |
| WR NW 13 HL | L | PN 315 | 15 | R 1/2" K | 14 | 36 | 21,0 | 34 | 19 | 27 |
| WR NW 16 HL 3/8 | L | PN 315 | 18 | R 3/8" K | 12 | 40 | 23,5 | 34 | 24 | 32 |
| WR NW 16 HL | L | PN 315 | 18 | R 1/2" K | 14 | 40 | 23,5 | 36 | 24 | 32 |
| WR NW 16 HL 3/4 | L | PN 160 | 18 | R 3/4" K | 16 | 36 | 27,5 | 44 | 27 | 32 |
| WRK NW 20 HL | L | PN 160 | 22 | R 3/4" K | 16 | 44 | 27,5 | 31 | 27 | 36 |
| WR NW 03 HS | S | PN 400 | 6 | R 1/4" K | 12 | 31 | 16,0 | 26 | 12 | 17 |
| WR NW 04 HS | S | PN 400 | 8 | R 1/4" K | 12 | 32 | 17,0 | 27 | 17 | 19 |
| WR NW 06 HS | S | PN 400 | 10 | R 3/8" K | 12 | 34 | 17,5 | 28 | 17 | 22 |
| WR NW 08 HS | S | PN 400 | 12 | R 3/8" K | 12 | 38 | 21,5 | 28 | 17 | 24 |
| WR NW 08 HS 1/2 | S | PN 400 | 12 | R 1/2" K | 14 | 40 | 23,5 | 34 | 19 | 24 |
| WR NW 10 HS | S | PN 400 | 14 | R 1/2" K | 14 | 40 | 22,0 | 32 | 19 | 27 |
| WR NW 13 HS | S | PN 400 | 16 | R 1/2" K | 14 | 43 | 24,5 | 32 | 24 | 30 |
| WR NW 13 HS 3/8 | S | PN 400 | 16 | R 3/8" K | 12 | 43 | 24,5 | 32 | 24 | 30 |
| WR NW 16 HS 1/2 | S | PN 400 | 20 | R 1/2" K | 14 | 48 | 26,5 | 42 | 27 | 36 |

结构系列:LL=非常轻 L=轻 S=重 - PN = 额定压力 PB = 最大工作压力 - Ø = 管外径

产品变体

WRK MG 旋入式螺栓连接,角度90°, 黄铜

WRK

旋入式螺栓连接,角度90°

HANSA FLEX