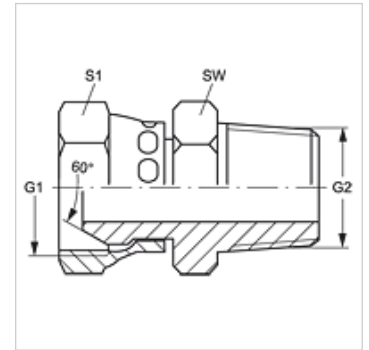


### 属性

接口 1	NPT螺母螺纹(NPSM)
密封形式 1	60°外锥
接口 2	NPT外螺纹
密封形式 2	螺纹密封
结构类型	旋入式接套
结构形式	直道
原料	钢
表面保护	电镀涂层



### 货品

名称	G1	G2	SW (mm)	S1
G AN 02 HN	1/8" -27 NPT	1/8" -27 NPT	14	14
G AN 04 HN	1/4" -18 NPT	1/4" -18 NPT	18	18
G AN 04 HN 02	1/4" -18 NPT	1/8" -27 NPT	16	18
G AN 04 HN 06	1/4" -18 NPT	3/8" -18 NPT	18	18
G AN 06 HN	3/8" -18 NPT	3/8" -18 NPT	22	22
G AN 06 HN 04	3/8" -18 NPT	1/4" -18 NPT	21	22
G AN 06 HN 08	3/8" -18 NPT	1/2" -14 NPT	22	22
G AN 08 HN	1/2" -14 NPT	1/2" -14 NPT	25	25
G AN 08 HN 04	1/2" -14 NPT	1/4" -18 NPT	24	25
G AN 08 HN 06	1/2" -14 NPT	3/8" -18 NPT	24	25
G AN 08 HN 12	1/2" -14 NPT	3/4" -14 NPT	29	25
G AN 12 HN	3/4" -14 NPT	3/4" -14 NPT	32	32
G AN 12 HN 08	3/4" -14 NPT	1/2" -14 NPT	32	32
G AN 12 HN 16	3/4" -14 NPT	1" -11.5 NPT	35	38
G AN 16 HN	1" -11.5 NPT	1" -11.5 NPT	38	38
G AN 16 HN 12	1" -11.5 NPT	3/4" -14 NPT	38	38
G AN 20 HN	1.1/4" -11.5 NPT	1.1/4" -11.5 NPT	48	48
G AN 24 HN 16	1.1/2" -11.5 NPT	1" -11.5 NPT	45	54
G AN 24 HN	1.1/2" -11.5 NPT	1.1/2" -11.5 NPT	54	54
G AN 32 HN	2" -11.5 NPT	2" -11.5 NPT	67	67

SW, S1, S2 = 对应边宽度