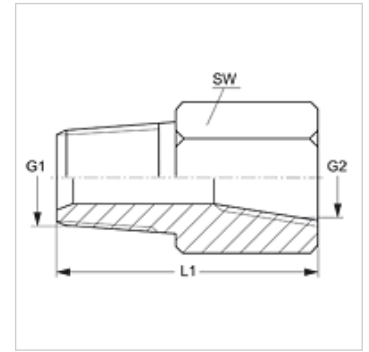


G HN IN VA

连接接套

属性

接口 1	NPT外螺纹
密封形式 1	螺纹密封式
接口 2	NPT内螺纹
密封形式 2	螺纹密封
结构类型	接头管套
结构形式	直道
原料	不锈钢



货品

名称	G1	G2	SW (mm)
G HN 02 IN VA	1/8" -27 NPT	1/8" -27 NPT	16
G HN 02 IN 04 VA	1/8" -27 NPT	1/4" -18 NPT	19
G HN 02 IN 08 VA	1/8" -27 NPT	1/2" -14 NPT	29
G HN 04 IN VA	1/4" -18 NPT	1/4" -18 NPT	19
G HN 04 IN 02 VA	1/4" -18 NPT	1/8" -27 NPT	19
G HN 04 IN 06 VA	1/4" -18 NPT	3/8" -18 NPT	22
G HN 04 IN 08 VA	1/4" -18 NPT	1/2" -14 NPT	29
G HN 06 IN VA	3/8" -18 NPT	3/8" -18 NPT	22
G HN 06 IN 02 VA	3/8" -18 NPT	1/8" -27 NPT	22
G HN 06 IN 04 VA	3/8" -18 NPT	1/4" -18 NPT	19
G HN 06 IN 08 VA	3/8" -18 NPT	1/2" -14 NPT	29
G HN 08 IN 02 VA	1/2" -14 NPT	1/8" -27 NPT	29
G HN 08 IN 12 VA	1/2" -14 NPT	3/4" -14 NPT	35
G HN 08 IN 04 VA	1/2" -14 NPT	1/4" -18 NPT	29
G HN 08 IN 06 VA	1/2" -14 NPT	3/8" -18 NPT	29
G HN 12 IN 04 VA	3/4" -14 NPT	1/4" -18 NPT	35
G HN 12 IN 06 VA	3/4" -14 NPT	3/8" -18 NPT	35
G HN 12 IN 08 VA	3/4" -14 NPT	1/2" -14 NPT	35
G HN 16 IN 08 VA	1" -11.5 NPT	1/2" -14 NPT	42
G HN 16 IN 12 VA	1" -11.5 NPT	3/4" -14 NPT	42

SW = 对应边宽度

产品变体

G HN IN 连接接套, 钢