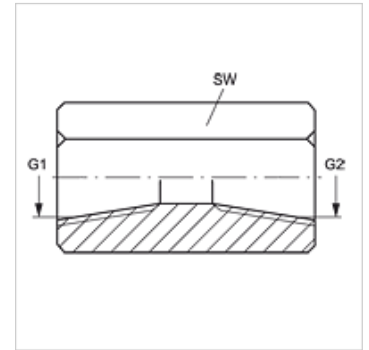


属性

接口 1	NPT内螺纹
密封形式 1	螺纹密封式
接口 2	NPT内螺纹
密封形式 2	螺纹密封
结构类型	接头管套
结构形式	直道
原料	钢



货品

名称	G1	G2	SW (mm)
G IN 02	1/8" -27 NPT	1/8" -27 NPT	16
G 04 IN 02	1/4" -18 NPT	1/8" -27 NPT	19
G IN 04	1/4" -18 NPT	1/4" -18 NPT	19
G 06 IN 04	3/8" -18 NPT	1/4" -18 NPT	22
G IN 06	3/8" -18 NPT	3/8" -18 NPT	22
G 08 IN 04	1/2" -14 NPT	1/4" -18 NPT	29
G 08 IN 06	1/2" -14 NPT	3/8" -18 NPT	29
G IN 08	1/2" -14 NPT	1/2" -14 NPT	30
G 12 IN 08	3/4" -14 NPT	1/2" -14 NPT	36
G IN 12	3/4" -14 NPT	3/4" -14 NPT	36
G 16 IN 12	1" -11.5 NPT	3/4" -14 NPT	46
G IN 16	1" -11.5 NPT	1" -11.5 NPT	46
G IN 20	1.1/4" -11.5 NPT	1.1/4" -11.5 NPT	51
G IN 24	1.1/2" -11.5 NPT	1.1/2" -11.5 NPT	60
G IN 32	2" -11.5 NPT	2" -11.5 NPT	73

SW = 对应边宽度

产品变体

G IN VA 连接接套, 不锈钢