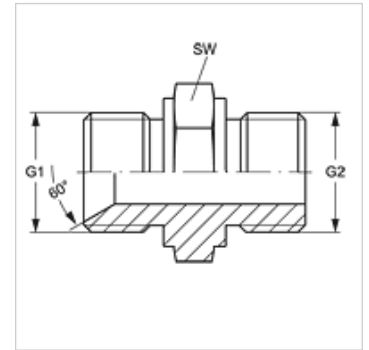


# GE HB HR

## 旋入式接套

### 属性

接口 1	BSP外螺纹,圆柱形
密封形式 1	60°内锥
接口 2	BSP外螺纹,圆柱形
密封形式 2	扁平密封
结构类型	旋入式接套
结构形式	直道
原料	钢
表面保护	电镀涂层



### 货品

名称	G1	G2	SW (mm)
GE HB 04 HR 02	G 1/4" -19	G 1/8" -28	14
GE HB 04 HR	G 1/4" -19	G 1/4" -19	19
GE HB 04 HR 06	G 1/4" -19	G 3/8" -19	22
GE HB 06 HR 04	G 3/8" -19	G 1/4" -19	19
GE HB 06 HR	G 3/8" -19	G 3/8" -19	22
GE HB 08 HR 06	G 1/2" -14	G 3/8" -19	22
GE HB 08 HR	G 1/2" -14	G 1/2" -14	27
GE HB 08 HR 12	G 1/2" -14	G 3/4" -14	27
GE HB 10 HR 08	G 5/8" -14	G 1/2" -14	27
GE HB 10 HR	G 5/8" -14	G 5/8" -14	30
GE HB 10 HR 12	G 5/8" -14	G 3/4" -14	32
GE HB 12 HR 08	G 3/4" -14	G 1/2" -14	27
GE HB 12 HR 10	G 3/4" -14	G 5/8" -14	30
GE HB 12 HR	G 3/4" -14	G 3/4" -14	32
GE HB 16 HR 12	G 1" -11	G 3/4" -14	36
GE HB 16 HR	G 1" -11	G 1" -11	41
GE HB 20 HR 16	G 1.1/4" -11	G 1" -11	46
GE HB 20 HR	G 1.1/4" -11	G 1.1/4" -11	50
GE HB 24 HR 20	G 1.1/2" -11	G 1.1/4" -11	50
GE HB 24 HR	G 1.1/2" -11	G 1.1/2" -11	55

SW = 对应边宽度