

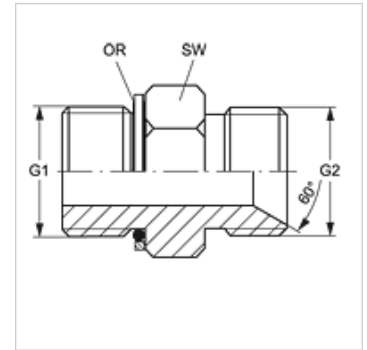
GE HMOK HB

旋入式接套

HANSA FLEX

属性

接口 1	米制外螺纹,圆柱形
密封形式 1	螺纹接套带O形圈 + 腔环
接口 2	BSP外螺纹,圆柱形
密封形式 2	60°内锥
结构类型	旋入式接套
结构形式	直道
原料	钢
表面保护	电镀涂层



货品

名称	G1	G2	SW (mm)	OR
GE HMOK 10 HB 02	M 10 x 1	G 1/8" -28	14	8.1 x 1.6
GE HMOK 12 HB 02	M 12 x 1.5	G 1/8" -28	17	9.3 x 2.2
GE HMOK 12 HB 04	M 12 x 1.5	G 1/4" -19	19	9.3 x 2.2
GE HMOK 14 HB 04	M 14 x 1.5	G 1/4" -19	19	11.3 x 2.2
GE HMOK 14 HB 06	M 14 x 1.5	G 3/8" -19	22	11.3 x 2.2
GE HMOK 16 HB 04	M 16 x 1.5	G 1/4" -19	22	13.3 x 2.2
GE HMOK 16 HB 06	M 16 x 1.5	G 3/8" -19	22	13.3 x 2.2
GE HMOK 18 HB 06	M 18 x 1.5	G 3/8" -19	24	15.3 x 2.2
GE HMOK 18 HB 08	M 18 x 1.5	G 1/2" -14	24	15.3 x 2.2
GE HMOK 20 HB 08	M 20 x 1.5	G 1/2" -14	27	17.3 x 2.2
GE HMOK 22 HB 08	M 22 x 1.5	G 1/2" -14	27	19.3 x 2.2
GE HMOK 22 HB 10	M 22 x 1.5	G 5/8" -14	27	19.3 x 2.2
GE HMOK 22 HB 12	M 22 x 1.5	G 3/4" -14	32	19.3 x 2.2
GE HMOK 26 HB 12	M 26 x 1.5	G 3/4" -14	32	23.6 x 2.9
GE HMOK 27 HB 12	M 27 x 2	G 3/4" -14	32	23.6 x 2.9
GE HMOK 27 HB 16	M 27 x 2	G 1" -11	41	23.6 x 2.9
GE HMOK 33 HB 16	M 33 x 2	G 1" -11	41	29.6 x 2.9
GE HMOK 42 HB 20	M 42 x 2	G 1.1/4" -11	50	38.6 x 2.9
GE HMOK 48 HB 24	M 48 x 2	G 1.1/2" -11	55	44.6 x 2.9

SW = 对应边宽度

备件

KAMMRING M 腔环,米制