

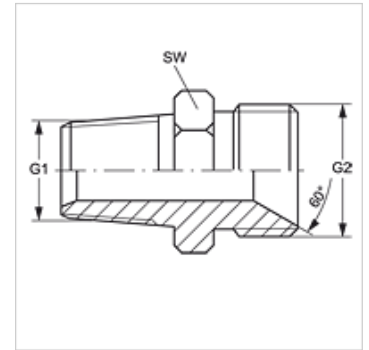
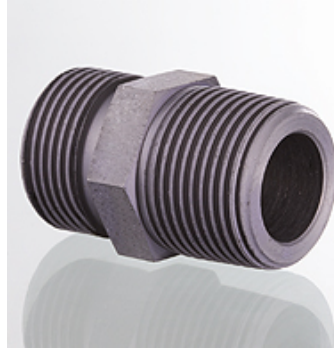
GE HRK HB

旋入式接套

HANSA FLEX

属性

接口 1	BSPT外螺纹,圆锥形
密封形式 1	螺纹密封式
接口 2	BSP外螺纹,圆柱形
密封形式 2	60°内锥
结构类型	旋入式接套
结构形式	直道
原料	钢
表面保护	电镀涂层



货品

名称	G1	G2	SW (mm)
GE HRK 02 HB	R 1/8" K	G 1/8" -28	14
GE HRK 02 HB 04	R 1/8" K	G 1/4" -19	14
GE HRK 02 HB 06	R 1/8" K	G 3/8" -19	19
GE HRK 04 HB 02	R 1/4" K	G 1/8" -28	14
GE HRK 04 HB	R 1/4" K	G 1/4" -19	19
GE HRK 04 HB 06	R 1/4" K	G 3/8" -19	22
GE HRK 04 HB 08	R 1/4" K	G 1/2" -14	27
GE HRK 04 HB 12	R 1/4" K	G 3/4" -14	32
GE HRK 06 HB 02	R 3/8" K	G 1/8" -28	19
GE HRK 06 HB 04	R 3/8" K	G 1/4" -19	19
GE HRK 06 HB	R 3/8" K	G 3/8" -19	22
GE HRK 06 HB 08	R 3/8" K	G 1/2" -14	22
GE HRK 06 HB 10	R 3/8" K	G 5/8" -14	30
GE HRK 06 HB 12	R 3/8" K	G 3/4" -14	32
GE HRK 08 HB 04	R 1/2" K	G 1/4" -19	22
GE HRK 08 HB 06	R 1/2" K	G 3/8" -19	22
GE HRK 08 HB	R 1/2" K	G 1/2" -14	27
GE HRK 08 HB 10	R 1/2" K	G 5/8" -14	30
GE HRK 08 HB 12	R 1/2" K	G 3/4" -14	32
GE HRK 08 HB 16	R 1/2" K	G 1" -11	41
GE HRK 10 HB 08	R 5/8" K	G 1/2" -14	30
GE HRK 10 HB	R 5/8" K	G 5/8" -14	30
GE HRK 10 HB 12	R 5/8" K	G 3/4" -14	32
GE HRK 12 HB 04	R 3/4" K	G 1/4" -19	30
GE HRK 12 HB 06	R 3/4" K	G 3/8" -19	30
GE HRK 12 HB 08	R 3/4" K	G 1/2" -14	30
GE HRK 12 HB 10	R 3/4" K	G 5/8" -14	30
GE HRK 12 HB	R 3/4" K	G 3/4" -14	27
GE HRK 12 HB 16	R 3/4" K	G 1" -11	36
GE HRK 12 HB 20	R 3/4" K	G 1.1/4" -11	50
GE HRK 16 HB 06	R 1" K	G 3/8" -19	36
GE HRK 16 HB 08	R 1" K	G 1/2" -14	36
GE HRK 16 HB 12	R 1" K	G 3/4" -14	36
GE HRK 16 HB	R 1" K	G 1" -11	36
GE HRK 16 HB 20	R 1" K	G 1.1/4" -11	50
GE HRK 16 HB 24	R 1" K	G 1.1/2" -11	55
GE HRK 20 HB 12	R 1.1/4" K	G 3/4" -14	50
GE HRK 20 HB 16	R 1.1/4" K	G 1" -11	50
GE HRK 20 HB	R 1.1/4" K	G 1.1/4" -11	50
GE HRK 20 HB 24	R 1.1/4" K	G 1.1/2" -11	55
GE HRK 20 HB 32	R 1.1/4" K	G 2" -11	60
GE HRK 24 HB 16	R 1.1/2" K	G 1" -11	55
GE HRK 24 HB 20	R 1.1/2" K	G 1.1/4" -11	55
GE HRK 24 HB	R 1.1/2" K	G 1.1/2" -11	55
GE HRK 24 HB 32	R 1.1/2" K	G 2" -11	60
GE HRK 32 HB 16	R 2" K	G 1" -11	65
GE HRK 32 HB 20	R 2" K	G 1.1/4" -11	65
GE HRK 32 HB 24	R 2" K	G 1.1/2" -11	65
GE HRK 32 HB	R 2" K	G 2" -11	65
GE HRK 40 HB	R 2.1/2" K	G 2.1/2" -11	70



尽管经过了仔细审阅,但我们无法完全排除发生错误的可能,对所提供的信息数据本公司不承担任何责任。

04.04.2026

HANSA-FLEX AG

www.hansa-flex.com

1

产品变体

GE HRK HB VA 旋入式接套, 不锈钢