

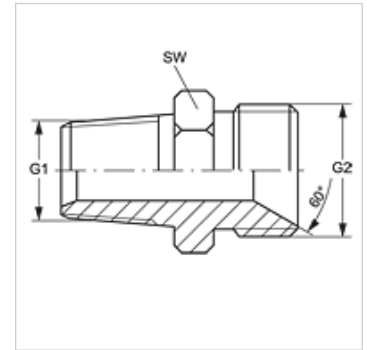
GE HRK HB VA

旋入式接套

HANSA FLEX

属性

| | |
|--------|-------------|
| 接口 1 | BSPT外螺纹,圆锥形 |
| 密封形式 1 | 螺纹密封式 |
| 接口 2 | BSP外螺纹,圆柱形 |
| 密封形式 2 | 60°内锥 |
| 结构类型 | 旋入式接套 |
| 结构形式 | 直道 |
| 原料 | 不锈钢 |



货品

| 名称 | G1 | G2 | SW (mm) |
|--------------------|------------|--------------|------------|
| GE HRK 02 HB VA | R 1/8" K | G 1/8" -28 | 11 |
| GE HRK 04 HB 02 VA | R 1/4" K | G 1/8" -28 | 17 |
| GE HRK 04 HB VA | R 1/4" K | G 1/4" -19 | 17 |
| GE HRK 04 HB 06 VA | R 1/4" K | G 3/8" -19 | 17 |
| GE HRK 06 HB VA | R 3/8" K | G 3/8" -19 | 17 |
| GE HRK 06 HB 08 VA | R 3/8" K | G 1/2" -14 | 22 |
| GE HRK 08 HB 04 VA | R 1/2" K | G 1/4" -19 | 22 |
| GE HRK 08 HB VA | R 1/2" K | G 1/2" -14 | 22 |
| GE HRK 08 HB 12 VA | R 1/2" K | G 3/4" -14 | 27 |
| GE HRK 10 HB VA | R 5/8" K | G 5/8" -14 | 27 |
| GE HRK 12 HB 08 VA | R 3/4" K | G 1/2" -14 | 27 |
| GE HRK 12 HB VA | R 3/4" K | G 3/4" -14 | 27 |
| GE HRK 16 HB VA | R 1" K | G 1" -11 | 36 |
| GE HRK 20 HB VA | R 1.1/4" K | G 1.1/4" -11 | 46 |
| GE HRK 24 HB VA | R 1.1/2" K | G 1.1/2" -11 | 50 |
| GE HRK 32 HB VA | R 2" K | G 2" -11 | 65 |

SW = 对应边宽度

产品变体

GE HRK HB 旋入式接套, 钢