

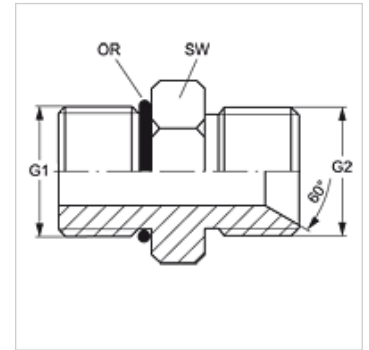
GE HRO HB

旋入式接套

HANSA FLEX

属性

接口 1	BSP外螺纹,圆柱形
密封形式 1	G 型
接口 2	BSP外螺纹,圆柱形
密封形式 2	60°内锥
结构类型	旋入式接套
结构形式	直道
原料	钢
表面保护	电镀涂层



货品

名称	G1	G2	SW (mm)	OR
GE HRO 02 HB	G 1/8" -28	G 1/8" -28	20	7.65 x 1.78
GE HRO 04 HB 02	G 1/4" -19	G 1/8" -28	20	10.78 x 2.62
GE HRO 04 HB	G 1/4" -19	G 1/4" -19	20	10.78 x 2.62
GE HRO 04 HB 06	G 1/4" -19	G 3/8" -19	24	10.78 x 2.62
GE HRO 06 HB 04	G 3/8" -19	G 1/4" -19	24	13.94 x 2.62
GE HRO 06 HB	G 3/8" -19	G 3/8" -19	24	13.94 x 2.62
GE HRO 06 HB 08	G 3/8" -19	G 1/2" -14	29	13.94 x 2.62
GE HRO 08 HB 06	G 1/2" -14	G 3/8" -19	29	17.86 x 2.62
GE HRO 08 HB	G 1/2" -14	G 1/2" -14	28	17.86 x 2.62
GE HRO 08 HB 10	G 1/2" -14	G 5/8" -14	29	17.86 x 2.62
GE HRO 08 HB 12	G 1/2" -14	G 3/4" -14	29	17.86 x 2.62
GE HRO 12 HB 08	G 3/4" -14	G 1/2" -14	35	23.47 x 2.62
GE HRO 12 HB	G 3/4" -14	G 3/4" -14	35	23.47 x 2.62
GE HRO 12 HB 16	G 3/4" -14	G 1" -11	43	23.47 x 2.62
GE HRO 16 HB 12	G 1" -11	G 3/4" -14	43	29.74 x 3.53
GE HRO 16 HB	G 1" -11	G 1" -11	43	29.74 x 3.53
GE HRO 20 HB 16	G 1.1/4" -11	G 1" -11	53	37.69 x 3.53
GE HRO 20 HB	G 1.1/4" -11	G 1.1/4" -11	53	37.69 x 3.53
GE HRO 24 HB	G 1.1/2" -11	G 1.1/2" -11	58	44.04 x 3.53

SW = 对应边宽度