

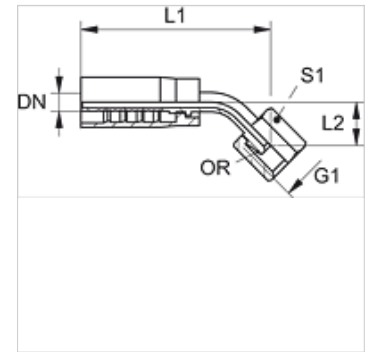
PAY 300 AOS 45

压力连接附件,DKOS W45°

HANSA FLEX

属性

接口 1	米制螺母螺纹
密封形式 1	带O形圈的24°外锥
缩略词	DKOS
标准	ISO 8434-1
供货范围	压力内接头 + 压力卡套
原料	钢
表面保护	电镀涂层



货品

名称	DN	尺寸	英寸	G1	用于管外径-Ø (mm)	L1 (mm)	L2 (mm)	S1	OR
PAY 306 AOS 45	6	4	1/4"	M 18 x 1.5	10	82,0	24,0	22	7.5 x 1.5
PAY 308 AOS 45	8	5	5/16"	M 20 x 1.5	12	76,0	20,0	24	9.0 x 1.5
PAY 310 AOS 08 45	10	6	3/8"	M 20 x 1.5	12	81,0	19,0	24	9.0 x 1.5
PAY 313 AOS 45	12	8	1/2"	M 24 x 1.5	16	96,0	23,0	30	12.0 x 2.0
PAY 316 AOS 45	16	10	5/8"	M 30 x 2	20	120,0	30,0	36	16.0 x 2.5
PAY 320 AOS 45	19	12	3/4"	M 36 x 2	25	137,0	37,0	46	20.0 x 2.5
PAY 325 AOS 45	25	16	1"	M 42 x 2	30	136,0	43,0	50	25.0 x 2.5