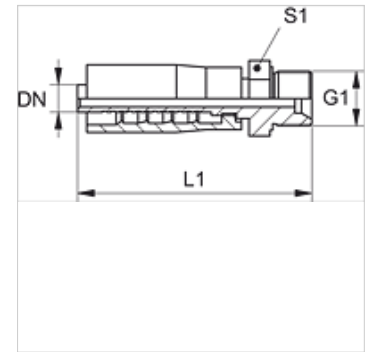


PAY 300 HB

压力连接附件,AGR

属性

接口 1	BSP外螺纹,圆柱形
密封形式 1	60°内锥
缩略词	AGR
标准	ISO 8434-6 BS 5200
供货范围	压力内接头 + 压力卡套
原料	钢
表面保护	电镀涂层



货品

名称	DN	尺寸	英寸	G1	L1 (mm)	S1
PAY 306 HB	6	4	1/4"	G 1/4" -19	64,0	17
PAY 308 HB 10	8	5	5/16"	G 3/8" -19	64,0	22
PAY 310 HB	10	6	3/8"	G 3/8" -19	71,0	22
PAY 310 HB 13	10	6	3/8"	G 1/2" -14	76,0	22
PAY 313 HB	12	8	1/2"	G 1/2" -14	79,0	24
PAY 316 HB 20	16	10	5/8"	G 3/4" -14	92,0	32
PAY 320 HB	19	12	3/4"	G 3/4" -14	92,0	32
PAY 320 HB 25	19	12	3/4"	G 1" -11	100,0	36
PAY 325 HB	25	16	1"	G 1" -11	100,0	36
PAY 325 HB 32	25	16	1"	G 1.1/4" -11	103,0	50
PAY 332 HB 40	31	20	1.1/4"	G 1.1/2" -11	118,0	55