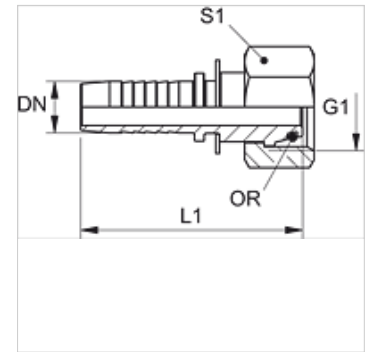


属性

应用范围	用于HD 100至HD 400、KP、TE软管的压力内接头
接口 1	米制螺母螺纹
密封形式 1	带O形圈的24°外锥
缩略词	DKOS
标准	ISO 8434-1
结构系列	重
原料	钢
表面保护	电镀涂层



提示

请根据软管类型选择合适的卡套。

货品

名称	DN	尺寸	英寸	工作压力 (bar)	G1	用于管外径-Ø (mm)	L1 (mm)	S1	OR
PN 04 AOS	5	3	3/16"	630,0	M 16 x 1.5	8	47,5	19	6.0 x 1.5
PN 04 AOS 06	5	3	3/16"	630,0	M 18 x 1.5	10	48,0	22	7.5 x 1.5
PN 06 AOS 03	6	4	1/4"	630,0	M 14 x 1.5	6	53,0	17	4.0 x 1.5
PN 06 AOS 04	6	4	1/4"	630,0	M 16 x 1.5	8	54,0	19	6.0 x 1.5
PN 06 AOS	6	4	1/4"	630,0	M 18 x 1.5	10	55,0	22	7.5 x 1.5
PN 06 AOS 08	6	4	1/4"	630,0	M 20 x 1.5	12	55,0	24	9.0 x 1.5
PN 08 AOS 06	8	5	5/16"	630,0	M 18 x 1.5	10	54,0	22	7.5 x 1.5
PN 08 AOS	8	5	5/16"	630,0	M 20 x 1.5	12	55,0	24	9.0 x 1.5
PN 10 AOS 06	10	6	3/8"	630,0	M 18 x 1.5	10	54,0	22	7.5 x 1.5
PN 10 AOS 08	10	6	3/8"	630,0	M 20 x 1.5	12	56,5	24	9.0 x 1.5
PN 10 AOS	10	6	3/8"	630,0	M 22 x 1.5	14	60,0	27	10.0 x 2.0
PN 10 AOS 13	10	6	3/8"	420,0	M 24 x 1.5	16	61,0	30	12.0 x 2.0
PN 13 AOS 10	12	8	1/2"	420,0	M 22 x 1.5	14	56,0	27	10.0 x 2.0
PN 13 AOS	12	8	1/2"	420,0	M 24 x 1.5	16	61,0	30	12.0 x 2.0
PN 13 AOS 16	12	8	1/2"	420,0	M 30 x 2	20	66,5	36	16.0 x 2.5
PN 16 AOS 13	16	10	5/8"	420,0	M 24 x 1.5	16	60,5	30	12.0 x 2.0
PN 16 AOS	16	10	5/8"	420,0	M 30 x 2	20	71,0	36	16.0 x 2.5
PN 16 AOS 20	16	10	5/8"	420,0	M 36 x 2	25	74,5	46	20.0 x 2.5
PN 16 AOS 20 SW41	16	10	5/8"	420,0	M 36 x 2	25	74,5	41	20.0 x 2.5
PN 20 AOS 16	19	12	3/4"	420,0	M 30 x 2	20	78,0	36	16.0 x 2.5
PN 20 AOS	19	12	3/4"	420,0	M 36 x 2	25	81,0	46	20.0 x 2.5
PN 20 AOS SW41	19	12	3/4"	420,0	M 36 x 2	25	81,0	41	20.0 x 2.5
PN 20 AOS 25	19	12	3/4"	420,0	M 42 x 2	30	84,0	50	25.0 x 2.5
PN 25 AOS 20	25	16	1"	420,0	M 36 x 2	25	89,0	46	20.0 x 2.5
PN 25 AOS	25	16	1"	420,0	M 42 x 2	30	92,0	50	25.0 x 2.5
PN 25 AOS 32	25	16	1"	345,0	M 52 x 2	38	95,5	60	33.0 x 2.5
PN 32 AOS 25	31	20	1.1/4"	420,0	M 42 x 2	30	92,5	50	25.0 x 2.5
PN 32 AOS	31	20	1.1/4"	345,0	M 52 x 2	38	104,5	60	33.0 x 2.5
PN 40 AOS 32	38	24	1.1/2"	345,0	M 52 x 2	38	107,0	60	33.0 x 2.5

产品变体

PN AOS VA 压力内接头,DKOS, 不锈钢