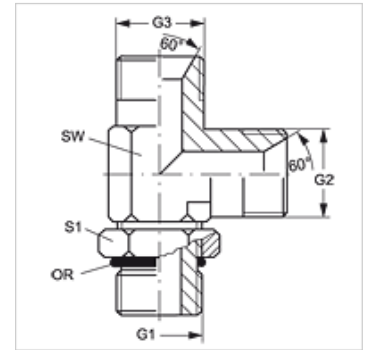


# L HRO HB

## 旋入式接套,L形

### 属性

|            |            |
|------------|------------|
| 接口 1       | BSP外螺纹,圆柱形 |
| 密封形式 1     | G 型        |
| 接口 2 + 3   | BSP外螺纹,圆柱形 |
| 密封形式 2 + 3 | 60°内锥      |
| 结构类型       | 旋入式接套      |
| 结构形式       | L形         |
| 原料         | 钢          |
| 表面保护       | 电镀涂层       |



### 货品

| 名称             | G1           | G2 - G3      | SW<br>(mm) | S1 | OR           |
|----------------|--------------|--------------|------------|----|--------------|
| L HRO 02 HB    | G 1/8" -28   | G 1/8" -28   | 11         | 16 | 7.65 x 1.78  |
| L HRO 04 HB 02 | G 1/4" -19   | G 1/8" -28   | 14         | 20 | 10.78 x 2.62 |
| L HRO 04 HB    | G 1/4" -19   | G 1/4" -19   | 14         | 20 | 10.78 x 2.62 |
| L HRO 04 HB 06 | G 1/4" -19   | G 3/8" -19   | 19         | 20 | 10.78 x 2.62 |
| L HRO 06 HB 04 | G 3/8" -19   | G 1/4" -19   | 19         | 24 | 13.94 x 2.62 |
| L HRO 06 HB    | G 3/8" -19   | G 3/8" -19   | 19         | 24 | 13.94 x 2.62 |
| L HRO 06 HB 08 | G 3/8" -19   | G 1/2" -14   | 22         | 24 | 13.94 x 2.62 |
| L HRO 08 HB 06 | G 1/2" -14   | G 3/8" -19   | 22         | 28 | 17.86 x 2.62 |
| L HRO 08 HB    | G 1/2" -14   | G 1/2" -14   | 22         | 28 | 17.86 x 2.62 |
| L HRO 08 HB 10 | G 1/2" -14   | G 5/8" -14   | 22         | 28 | 17.86 x 2.62 |
| L HRO 08 HB 12 | G 1/2" -14   | G 3/4" -14   | 27         | 28 | 17.86 x 2.62 |
| L HRO 12 HB 08 | G 3/4" -14   | G 1/2" -14   | 27         | 35 | 23.47 x 2.62 |
| L HRO 12 HB    | G 3/4" -14   | G 3/4" -14   | 27         | 35 | 23.47 x 2.62 |
| L HRO 12 HB 16 | G 3/4" -14   | G 1" -11     | 33         | 35 | 23.47 x 2.62 |
| L HRO 16 HB 12 | G 1" -11     | G 3/4" -14   | 33         | 43 | 29.74 x 3.53 |
| L HRO 16 HB    | G 1" -11     | G 1" -11     | 33         | 43 | 29.74 x 3.53 |
| L HRO 20 HB 16 | G 1.1/4" -11 | G 1" -11     | 41         | 52 | 37.69 x 3.53 |
| L HRO 20 HB    | G 1.1/4" -11 | G 1.1/4" -11 | 41         | 52 | 37.69 x 3.53 |
| L HRO 24 HB    | G 1.1/2" -11 | G 1.1/2" -11 | 48         | 58 | 44.04 x 3.53 |

SW = 对应边宽度