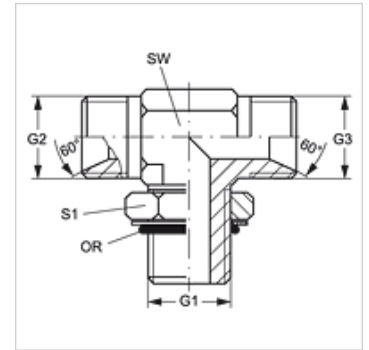


T HRO HB

旋入式接套,T形

属性

接口 1	BSP外螺纹,圆柱形
密封形式 1	G 型
接口 2 + 3	BSP外螺纹,圆柱形
密封形式 2 + 3	60°内锥
结构类型	方向可调节的旋入式接套
结构形式	T形
原料	钢
表面保护	电镀涂层



货品

名称	G1	G2 - G3	SW (mm)	S1	OR
T HRO 02 HB	G 1/8" -28	G 1/8" -28	11	16	7.65 x 1.78
T HRO 04 HB 02	G 1/4" -19	G 1/8" -28	14	20	10.78 x 2.62
T HRO 04 HB	G 1/4" -19	G 1/4" -19	19	20	10.78 x 2.62
T HRO 04 HB 06	G 1/4" -19	G 3/8" -19	14	20	10.78 x 2.62
T HRO 06 HB 04	G 3/8" -19	G 1/4" -19	19	24	13.94 x 2.62
T HRO 06 HB	G 3/8" -19	G 3/8" -19	19	24	13.94 x 2.62
T HRO 06 HB 08	G 3/8" -19	G 1/2" -14	19	24	13.94 x 2.62
T HRO 08 HB 06	G 1/2" -14	G 3/8" -19	22	28	17.86 x 2.62
T HRO 08 HB	G 1/2" -14	G 1/2" -14	22	28	17.86 x 2.62
T HRO 08 HB 10	G 1/2" -14	G 5/8" -14	22	28	17.86 x 2.62
T HRO 08 HB 12	G 1/2" -14	G 3/4" -14	27	28	17.86 x 2.62
T HRO 12 HB 08	G 3/4" -14	G 1/2" -14	27	35	23.47 x 2.62
T HRO 12 HB	G 3/4" -14	G 3/4" -14	27	35	23.47 x 2.62
T HRO 12 HB 16	G 3/4" -14	G 1" -11	33	35	23.47 x 2.62
T HRO 16 HB 12	G 1" -11	G 3/4" -14	33	43	29.74 x 3.53
T HRO 16 HB	G 1" -11	G 1" -11	33	43	29.74 x 3.53
T HRO 20 HB 16	G 1.1/4" -11	G 1" -11	41	52	37.69 x 3.53
T HRO 20 HB	G 1.1/4" -11	G 1.1/4" -11	41	52	37.69 x 3.53
T HRO 24 HB	G 1.1/2" -11	G 1.1/2" -11	50	58	44.04 x 3.53

SW, S1, S2 = 对应边宽度