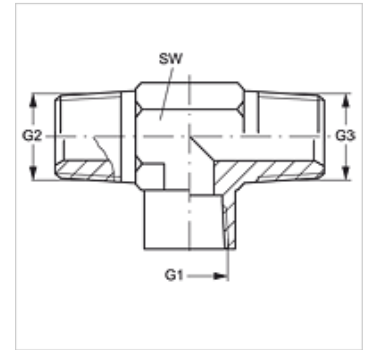


T IN HN

旋上式接套,T形

属性

| | |
|------------|--------|
| 接口 1 | NPT内螺纹 |
| 密封形式 1 | 螺纹密封式 |
| 接口 2 + 3 | NPT外螺纹 |
| 密封形式 2 + 3 | 螺纹密封 |
| 结构类型 | 旋入式接套 |
| 结构形式 | T形 |
| 原料 | 钢 |
| 表面保护 | 电镀涂层 |



货品

| 名称 | G1 | G2 - G3 | SW (mm) |
|------------|------------------|------------------|------------|
| T IN 02 HN | 1/8" -27 NPT | 1/8" -27 NPT | 14 |
| T IN 04 HN | 1/4" -18 NPT | 1/4" -18 NPT | 19 |
| T IN 06 HN | 3/8" -18 NPT | 3/8" -18 NPT | 22 |
| T IN 08 HN | 1/2" -14 NPT | 1/2" -14 NPT | 27 |
| T IN 12 HN | 3/4" -14 NPT | 3/4" -14 NPT | 33 |
| T IN 16 HN | 1" -11.5 NPT | 1" -11.5 NPT | 41 |
| T IN 20 HN | 1.1/4" -11.5 NPT | 1.1/4" -11.5 NPT | 48 |

SW = 对应边宽度